



CONTENTS

BALL BEARINGS

Miniature series	1
R series	2
MR,RLS,RMS series	3
6700,6800,6900 series	4
1600,16000,6000,6200 series	5
6300,6400 series	6
62200,62300,63000 series	7
W series	8
No-standard series	9
Mast guide bearings	10
Agricultural machinery bearings	11-14

ANGULAR CONTACT BEARINGS

7000C,7200C,7300C,7200B,7300B series	15
7000,7200,7300 series	16-17
3200,3300 series	18
4200,4300 series	19
5200,5300 series	20
LR series	21
305700C-ZZ,306700-ZZ,LFR series	22

SELF-ALIGNING BALL BEARINGS

THRUST BALL BEARINGS	24
----------------------	----

CYLINDRICAL ROLLER BEARINGS

N,NU,NJ,NUP,RN series	25
-----------------------	----

NEEDLE ROLLER BEARINGS

AXK,AS,LS,GS,WS series	26
K series	27-30
K,ZW series	31
KZK,KBK series	32
NK,NKS series	33
NKI,NKIS series	34
HK,BK series	35-36
F,MF series	37
HF,FC,HPL,FCB series	38
RNAV,RNAV series	38
RNA49,NA49,RNA69,NA69 series	39
TA series	40-42
TLA series	43
IR series	44
CF series	45

PLAIN BEARINGS

GE,E(ES),GE,ES-2RS,GEG,E(ES),GEG,ES-2RS,GE,C series	46
GEF,ES series	47
GEEW,ES,GEEM,ES-2RS series	48
GEZ,ES,GEZ,ES-2RS series	49
GEBK series	50
SA,E(ES),SI,E(ES) series	51
SIUK,C,SI,C series	52
SAJK,C,SA,C series	53



CONTENTS

PHS series	54
POS series	55
SQ,C	56
SQD,SQZ,RS series	57
SQ,RS series	58
GK,NK,GK,CK series	59
SK,ES,SF,ES series	60

BALL BEARINGS UNITS

UC series	61-63
SA,SB series	64

PILLOW BLOCKS

UCP series	65-67
UCPA series	68
UCPH series	69
UCF series	70-72
UCEA series	73
UCFC series	74-75
UCFL series	76-78
UCT series	79-81
SAPP,SBPP series	82
SAPFL,SBPFL series	83
SBPF,SBPFT series	84

ADAPTER SLEEVES

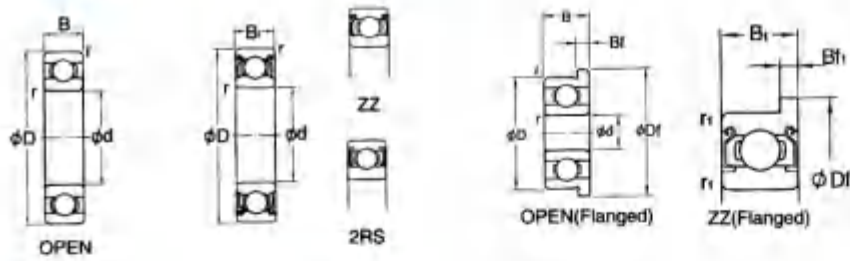
KM,KML series	85
MB series	86
H,HE,HS,HA series	87-89
AH,AHX series	90-91

LINEAR MOTION BALL BEARINGS

LM series	92
LME,LMB series	93
LM,LUU,LME,LUU series	94
LMF,UU series	95
LMP,LUU series	96
LMK,UU series	97
LMK,LUU series	98
KH series	99

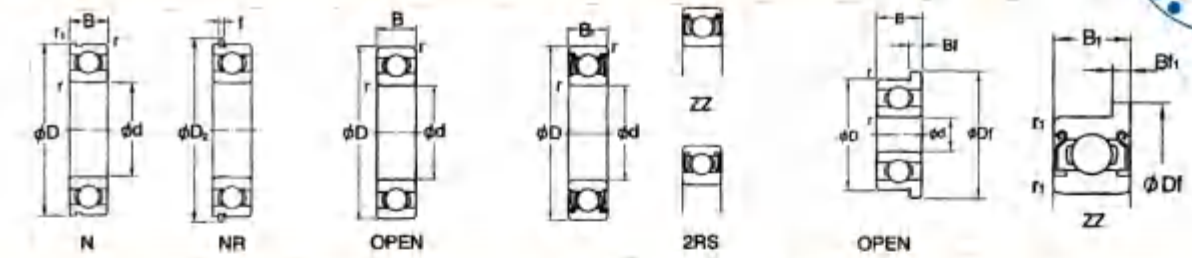
SELF-LUBRICATION BEARINGS

SP-1 series	100
SP-1 F series	101
SP-2 series	102-103
FB090 series	104-105
FBB090 series	106
WC,SF series	107
JF series	108-109
STEEL BALLS	110-111
SNAP RING	112-113



MINIATURE SERIES

Bearing No.	d	D	B ₁	B	r _{min}	Df	Bf ₁	Bf
60/1.5	1.5	6	3	2.5	0.15	7.5	0.8	0.6
602	2	7	3.5	2.8	0.15	8.5	0.9	0.7
60/2.5	2.5	8	4	2.8	0.15	9.5	0.9	0.7
603	3	9	5	3	0.15	10.5	1.0	0.7
604	4	12	4	4	0.15	13.5	1.0	1.0
605	5	14	5	5	0.20	16.0	1.0	1.0
606	6	17	6	6	0.20	19.0	1.2	1.2
607	7	19	6	6	0.30	22.0	1.5	1.5
608	8	22	7	7	0.30	25.0	1.5	1.5
609	9	24	7	7	0.30	27.0	1.5	1.5
623	3	10	4	4	0.15	11.5	1.0	1.0
624	4	13	5	5	0.20	15.0	1.0	1.0
625	5	16	5	5	0.30	18.0	1.0	1.0
626	6	19	6	6	0.30	22.0	1.5	1.5
627	7	22	7	7	0.30	25.0	1.5	1.5
628	8	24	8	8	0.30			
629	9	26	8	8	0.30			
633	3	13	5	5	0.30	15.0	1.0	1.0
634	4	16	5	5	0.30	18.0	1.0	1.0
635	5	19	6	6	0.30	22.0	1.5	1.5
636	6	22	7	7	0.30	25.0	1.5	1.5
637	7	26	9	9	0.30	29.0	2.0	2.0
638	8	28	9	9	0.30			
639	9	30	10	10	0.60			
681	1	3		1	0.05	3.8		0.3
68/1.5	1.5	4	2	1.2	0.05	5.0		0.4
682	2	5	2.3	1.5	0.08	6.1	0.6	0.5
68/2.5	2.5	6	2.6	1.8	0.08	7.1	0.8	0.5
683	3	7	3	2	0.10	8.1	0.8	0.5
684	4	9	4	2.5	0.10	10.3	1.0	0.6
685	5	11	5	3	0.15	12.5	1.0	0.8
686	6	13	5	3.5	0.15	15.0	1.1	1.0
687	7	14	5	3.5	0.15	16.0	1.1	1.0
688	8	16	5	4	0.20	18.0	1.1	1.0
689	9	17	5	4	0.20	19.0	1.1	1.0
691	1	4		1.6	0.10	5.0		0.5
69/1.5	1.5	5	2.6	2	0.15	6.5	0.8	0.6
692	2	6	3	2.3	0.15	7.5	0.8	0.6
69/2.5	2.5	7	3.5	2.5	0.15	8.5	0.9	0.7
693	3	8	4	3	0.15	9.5	0.9	0.7
694	4	11	4	4	0.15	12.5	1.0	1.0
695	5	13	4	4	0.20	15.0	1.0	1.0
696	6	15	5	5	0.20	17.0	1.2	1.2
697	7	17	5	5	0.30	19.0	1.2	1.2
698	8	19	6	6	0.30	22.0	1.5	1.5
699	9	20	6	6	0.30	23.0	1.5	1.5



R SERIES

Bearing No.	d	D	B ₁	B	r _{min}	Df	Bf ₁	Bf
R09	1.016	3.175		1.191	0.1			
R0	1.191	3.9675	2.38	1.5875	0.1	5.156	0.7874	0.33
R1	1.397	4.7625	2.7788	1.984	0.1	5.944	0.7874	0.584
R1-4	1.984	6.35	3.5712	2.38	0.1	7.518	0.7874	0.584
R1-5	2.38	7.9375	3.5712	2.7788	0.08	9.119	0.7874	0.584
R2-5	3.175	7.9375	3.5712	2.7788	0.08	9.119	0.7874	0.584
R2-6	3.175	9.525	3.5712	2.7788	0.13	10.719	0.7874	0.584
R2	3.175	9.525	3.9675	3.9675	0.3	11.176	0.762	0.762
R2A	3.175	12.7	4.3663	4.3663	0.3			
R3	4.7625	12.7	4.9784	3.9675	0.3	14.351	1.0668	1.0668
R3A	4.7625	15.875	4.9784	4.9784	0.3	17.526	1.0668	
R4	6.35	15.875	4.9784	4.9784	0.3	17.526	1.0668	1.0668
R4-11	6.35	17.4625	7.9197		0.3			
R4A	6.35	19.05	7.1425	5.5575	0.4	17.526	1.0668	
R5A	7.9375	22.225	7.1425		0.4			
R6	9.525	22.225	7.1425	5.5575	0.4	24.613	1.575	1.575
R6A	9.525	22.225	5.5575		0.4			
R6-7	11.113	28.575	7.9375	6.35	0.4			
R8	12.7	28.575		6.35	0.4	31.115	1.575	1.575
R10	15.875	34.925	8.7325	7.142	0.6			
R12	19.05	41.275	11.112	7.9375	0.6			
R14	22.225	47.625	12.7	9.525	0.6			
R16	25.4	50.8	12.7	9.525	0.6			
R18	28.575	53.975	12.7	9.525	0.6			
R20	31.75	57.15	12.7	9.525	1			
R22	34.925	63.5	14.288	11.112	1			
R24	38.1	66.675	14.288	11.112	1			
R133	2.38	4.7625	2.38	1.5875	0.1	5.9436	0.7874	0.457
R144	3.175	6.35	2.7788	2.38	0.1	7.518	0.7874	0.5842
R155	3.9675	7.9375	3.175	2.7788	0.1	9.119	0.9144	0.5842
R156	4.7625	7.9375	3.175	2.7788	0.1	9.119	0.9144	0.5842
R164	3.175	9.525	2.38	2.38				
R166	4.7625	9.525	3.175	3.175	0.1	10.719	0.7874	0.5842
R168	6.35	9.525	3.175	3.175	0.1	10.719	0.9144	0.5842
R174	3.175	10.414	2.7788	2.7788				
R184	3.175	12.7	2.7788	2.7788				
R186	4.7625	12.7	3.9675	2.7788				
R188	6.35	12.7	4.7625	3.175	0.13	13.894	1.143	0.5842
R1038	9.525	15.875	3.9675	3.9675	0.15			
R1204	3.175	19.05		3.175				
R1212	12.7	19.05	3.9675		0.14			
R1810	7.9375	12.7	3.9675	3.9675	0.13	13.894	0.7874	0.7874



MR SERIES

Bearing No.	d	D	B ₁	B	r _{min}	Df	Bf ₁	Bf
MR31	1	3		1.5	0.05			0.4
MR4/1.2	1.2	4	2.5	1.8	0.1	4.8		0.6
MR52	2	5	2.5	2	0.1	6.2	0.6	0.6
MR62	2	6	2.5	2.5	0.15	7.2	0.6	0.6
MR63	3	6	2.5	2	0.1	7.2		0.6
MR72	2	7	3	2.5	0.15	8.2	0.6	0.6
MR74	4	7	2.5	2	0.1	8.2	0.6	0.6
MR8/2.5	2.5	8		2.5	0.2	9.2		0.6
MR83	3	8	3	2.5	0.15	9.2		0.6
MR84	4	8	3	2	0.15	9.2	0.6	0.6
MR85	5	8	2.5	2	0.1	9.2	0.6	0.6
MR93	3	9	4	2.5	0.2	10.2	0.6	0.6
MR95	5	9	3	2.5	0.15	10.2	0.6	0.6
MR104	4	10	4	3	0.2	11.2	0.8	0.6
MR105	5	10	4	3	0.15	11.2	0.8	0.6
MR106	6	10	3	2.5	0.15	11.2	0.6	0.6
MR115	5	11	4	3	0.15	12.6	0.8	0.6
MR117	7	11	3	2.5	0.15	12.2	0.6	0.6
MR126	6	12	4	3	0.2	★13.6	0.8	0.6
MR128	8	12	3.5	2.5	0.15	★13.6	0.8	0.6
MR137	7	13	4	3	0.2	▲14.6	0.8	0.6
MR148	8	14	4	3.5	0.2	15.6	0.8	0.8

★Open type Df=13.2 ▲Open type Df=14.2

RLS SERIES

Bearing No.	d	D	B
RLS4	12.700	33.34	9.525
RLS5	15.875	39.69	11.110
RLS6	19.050	47.63	14.290
RLS7	22.225	50.80	14.290
RLS8	25.400	57.15	15.880
RLS9	28.575	63.50	15.880
RLS10	31.750	69.85	17.460
RLS11	34.925	76.20	17.460
RLS12	38.100	82.55	19.050
RLS13	41.275	88.90	19.050
RLS14	44.450	95.25	20.640
RLS15	47.625	101.6	20.640
RLS16	50.800	101.6	20.640
RLS18	57.150	114.3	22.230
RLS20	63.500	127.00	23.810
RLS22	69.850	133.40	23.810
RLS24	76.200	146.05	26.990
RLS26	82.550	152.40	26.990

RMS SERIES

Bearing No.	d	D	B
RMS4	12.700	41.28	15.88
RMS5	15.875	46.04	15.88
RMS6	19.050	50.80	17.46
RMS7	22.225	57.15	17.46
RMS8	25.400	63.50	19.05
RMS9	28.575	71.44	20.64
RMS10	31.750	79.37	22.23
RMS11	34.925	88.90	22.23
RMS12	38.100	95.25	23.81
RMS13	41.275	101.60	23.81
RMS14	44.450	108.00	26.99
RMS15	47.625	114.30	26.99
RMS16	50.800	114.30	26.99
RMS18	57.150	127.00	31.75
RMS20	63.500	139.70	31.75
RMS22	69.850	158.80	34.93
RMS24	76.200	177.80	39.68
RMS26	82.550	190.50	39.68

6700 SERIES

Bearing No.	d	D	B	r _{min}
6700/3	10	15	3	0.15
6700	10	15	4	0.15
6701	12	18	4	0.2
6702	15	21	4	0.2
6703	17	23	4	0.2
6704	20	27	4	0.2
6705	25	32	4	0.2
6706	30	37	4	0.2
6707	35	44	5	0.3
6708	40	50	6	0.3
6709	45	55	6	0.3

6900 SERIES

Bearing No.	d	D	B	r _{min}
6900	10	22	6	0.3
6901	12	24	6	0.3
6902	15	28	7	0.3
6903	17	30	7	0.3
6904	20	37	9	0.3
6905	25	42	9	0.3
6906	30	47	9	0.3
6907	35	55	10	0.6
6908	40	62	12	0.6
6909	45	68	12	0.6
6910	50	72	12	0.6
6911	55	80	13	1.0
6912	60	85	13	1.0
6913	65	90	13	1.0
6914	70	100	16	1.0
6915	75	105	16	1.0
6916	80	110	16	1.0
6917	85	120	18	1.1
6918	90	125	18	1.1
6919	95	130	18	1.1
6920	100	140	20	1.1
6921	105	145	20	1.1
6922	110	150	20	1.1
6924	120	165	22	1.1
6926	130	180	24	1.5

6800 SERIES

Bearing No.	d	D	B	r _{min}
6800	10	19	5	0.3
6801	12	21	5	0.3
6802	15	24	5	0.3
6803	17	26	5	0.3
6804	20	32	7	0.3
6805	25	37	7	0.3
6806	30	42	7	0.3
6807	35	47	7	0.3
6808	40	52	7	0.3
6809	45	58	7	0.3
6810	50	65	7	0.3
6811	55	72	9	0.3
6812	60	78	10	0.3
6813	65	85	10	0.6
6814	70	90	10	0.6
6815	75	95	10	0.6
6816	80	100	10	0.6
6817	85	110	13	1
6818	90	115	13	1
6819	95	120	13	1
6820	100	125	13	1
6821	105	130	13	1
6822	110	140	16	1
6824	120	150	16	1
6826	130	165	18	1.1



BALL BEARINGS

BALL BEARINGS



1600 SERIES

Bearing No.	d	D	B	r _{min}
1601	4.762	17.462	★6.350	0.4
1602	6.35	17.462	★6.350	0.4
1603	7.938	22.225	▲7.142	0.5
1604	9.525	22.225	▲7.142	0.5
1605	7.938	23.017	7.938	0.5
1606	9.525	23.017	7.938	0.5
1607	11.112	23.017	7.938	0.5
1614	9.525	28.575	9.525	0.6
1615	11.112	28.575	9.525	0.6
1616	12.7	28.575	9.525	0.6
1620	11.112	34.925	11.112	0.3
1621	12.7	34.925	11.112	0.3
1622	14.288	34.925	11.112	0.3
1623	15.875	34.925	11.112	0.3
1628	15.875	41.275	12.7	0.6
1630	19.05	41.275	12.7	0.6
1633	15.875	44.45	12.7	0.6
1635	19.05	44.45	12.7	0.6
1638	19.05	50.8	14.288	0.6
1639	20.638	50.8	14.288	0.6
1640	22.225	50.8	14.288	0.6
1641	25.4	50.8	14.288	0.6
1652	28.575	63.5	15.875	1
1654	31.75	63.5	15.875	1
1657	31.75	65.088	17.462	1
1658	33.338	65.088	17.462	1

16000 SERIES

Bearing No.	d	D	B	r _{min}
16001	12	28	7	0.3
16002	15	32	8	0.3
16003	17	35	8	0.3
16004	20	42	8	0.3
16005	25	47	8	0.3
16006	30	55	9	0.3
16007	35	62	9	0.3
16008	40	68	9	0.3
16009	45	75	10	0.6
16010	50	80	10	0.6
16011	55	90	11	0.6
16012	60	95	11	0.6
16013	65	100	11	0.6
16014	70	110	13	0.6
16015	75	115	13	0.6

★Width RS & 2RS=5/16 inch, 7.938mm
▲Width RS & 2RS=11/32 inch, 8.731mm

6000 SERIES

Bearing No.	d	D	B	r _{min}
6000	10	26	8	0.3
6001	12	28	8	0.3
6002	15	32	9	0.3
6003	17	35	10	0.3
6004	20	42	12	0.6
6005	25	47	12	0.6
6006	30	55	13	1
6007	35	62	14	1
6008	40	68	15	1
6009	45	75	16	1
6010	50	80	16	1
6011	55	90	18	1.1
6012	60	95	18	1.1
6013	65	100	18	1.1
6014	70	110	20	1.1
6015	75	115	20	1.1
6016	80	125	22	1.1
6017	85	130	22	1.1
6018	90	140	24	1.5
6019	95	145	24	1.5
6020	100	150	24	1.5
6021	105	160	26	2
6022	110	170	28	2
6024	120	180	28	2
6026	130	200	33	2

6200 SERIES

Bearing No.	d	D	B	r _{min}
6200	10	30	9	0.6
6201	12	32	10	0.6
6202	15	35	11	0.6
6203	17	40	12	0.6
6204	20	47	14	1
6205	25	52	15	1
6206	30	62	16	1.1
6207	35	72	17	1.1
6208	40	80	18	1.1
6209	45	85	19	1.1
6210	50	90	20	1.1
6211	55	100	21	1.5
6212	60	110	22	1.5
6213	65	120	23	1.5
6214	70	125	24	1.5
6215	75	130	25	1.5
6216	80	140	26	2
6217	85	150	28	2
6218	90	160	30	2
6219	95	170	32	2.1
6220	100	180	34	2.1
6221	105	190	36	2.1
6222	110	200	38	2.1
6224	120	215	40	2.1
6226	130	230	40	3

Bearing No.	d	D	B	r _{min}
6300	10	35	11	0.6
6301	12	37	12	1
6302	15	42	13	1
6303	17	47	14	1
6304	20	52	15	1.1
6305	25	62	17	1.1
6306	30	72	19	1.1
6307	35	80	21	1.5
6308	40	90	23	1.5
6309	45	100	25	1.5
6310	50	110	27	2
6311	55	120	29	2
6312	60	130	31	2.1
6313	65	140	33	2.1
6314	70	150	35	2.1
6315	75	160	37	2.1
6316	80	170	39	2.1
6317	85	180	41	3
6318	90	190	43	3
6319	95	200	45	3
6320	100	215	47	3
6321	105	225	49	3
6322	110	240	50	3
6324	120	260	55	3
6326	130	280	58	4

Bearing No.	d	D	B	r _{min}
6403	17	62	17	1.1
6404	20	72	19	1.1
6405	25	80	21	1.5
6406	30	90	23	1.5
6407	35	100	25	1.5
6408	40	110	27	2
6409	45	120	29	2
6410	50	130	31	2.1
6411	55	140	33	2.1
6412	60	150	35	2.1
6413	65	160	37	2.1
6414	70	180	42	3
6415	75	190	45	3
6416	80	200	48	3
6417	85	210	52	4
6418	90	225	54	4
6419	95	240	55	4
6420	100	250	58	4
6421	105	260	60	4
6422	110	280	65	4
6424	120	310	72	5
6426	130	340	78	5



BALL BEARINGS

BALL BEARINGS



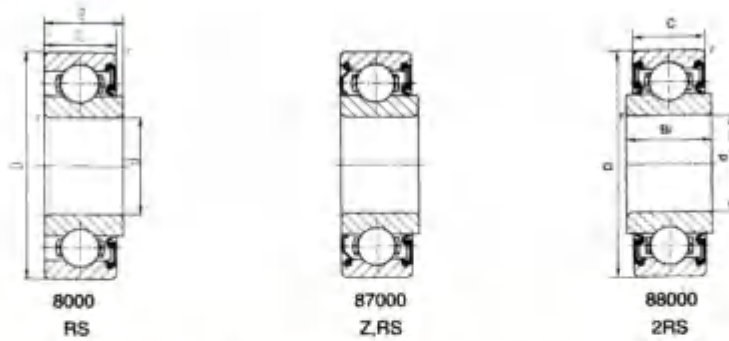
Bearing No.	d	D	B
60/22	22	44	12
60/28	28	52	12
60/32	32	58	13
62/22	22	50	14
62/28	28	58	18
62/32	32	65	17
63/22	22	56	18
63/28	28	68	18
63/32	32	75	20
69/28	28	45	9
62200	10	30	14
62201	12	32	14
62202	15	35	14
62203	17	40	16
62204	20	47	18
62205	25	52	18
62206	30	62	20
62207	35	72	23
62208	40	80	23
62209	45	85	23
62210	50	90	23

Bearing No.	d	D	B
62300	10	35	17
62301	12	37	17
62302	15	42	17
62303	17	47	19
62304	20	52	21
62305	25	62	24
62306	30	72	27
62307	35	80	31
62308	40	90	33
62309	45	100	36
62310	50	110	40
63000	10	26	12
63001	12	28	12
63002	15	32	13
63003	17	35	14
63004	20	42	16
63005	25	47	16
63006	30	55	19
63007	35	62	20
63008	40	68	21
63009	45	75	23
63010	50	80	23

Bearing No.	d	D	B
W200	10	30	14.3
W201	12	32	15.9
W202	15	35	15.9
W203	17	40	17.5
W204	20	47	20.6
W205	25	52	20.6
W206	30	62	23.8
W207	35	72	27
W208	40	80	30.2
W209	45	85	30.2
W210	50	90	30.2
W302	15	42	19
W303	17	47	22.2
W304	20	52	22.2
W305	25	62	25.4
W306	30	72	30.2
W307	35	80	34.9
W308	40	90	36.5
W309	45	100	39.7
W310	50	110	44.4
W6000	10	24	10
W6001	12	28	12
W6002	15	32	11

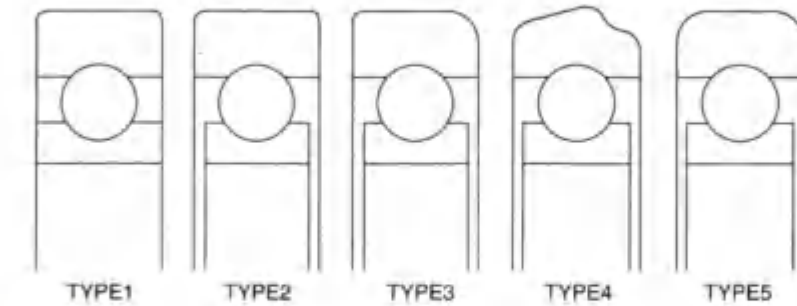
Bearing No.	d	D	B
62000	10	26	10
6200-7	11.113	30	9
6201-8	12.7	32	9
6201-13	13	32	9
6202-6	9.525	35	11
6202-8	12.7	35	11
6202-9	15	35	9
6202-10	15.875	35	11
6202-16	16	35	11
6202-13	15	35	13
6203-8	12.7	40	12
6203-10	15.875	40	12
6203-12	12	40	12
6203-16	16	40	12
6203-14.3	17	40	14.3
6204-12	19.05	47	14
6205-16	24.4	52	15

Bearing No.	d	D	B
98205	25	52	9
98206	30	62	10
98305	25	62	12
99502H	15.875	34.925	11

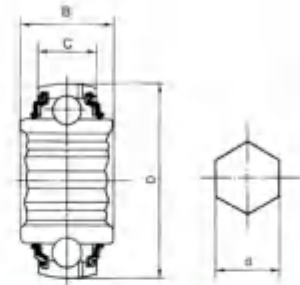


NO-STANDARD SERIES

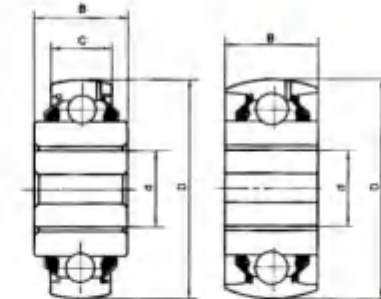
8000	Bearing No. 87000	88000	d	D	B	C	Bi	r _{min}
8011	87011	88500	11	32	12.7	10	15.4	0.6
8013	87013	88013	13	32	12.7	10	15.4	0.6
8014	87014	88014	14	35	12.7	11	14.399	0.6
8016	87016	88016	16	35	12.7	11	14.399	0.6
8026	87026	88026	26	52	15.875	15	16.749	1
8500	87500	88500	10	30	12.7	9	16.041	0.6
8501	87501	88501	12	32	12.7	10	15.4	0.6
8502	87502	88502	15	35	12.7	11	14.399	0.6
8503	87503	88503	17	40	14.288	12	16.601	0.6
8504	87504	88504	20	47	15.875	14	17.75	1
8505	87505	88505	25	52	15.875	15	16.749	1
8506	87506	88506	30	62	20	16	24	1
8507	87507	88507	35	72	21	17	25	1
8508	87508	88508	40	80	24	21	27	1
8509	87509	88509	45	85	24	21	27	1
8510	87510	88510	50	90	26	22	30	1
8511	87511	88511	55	100	27	23	31	1.5
8602	87602	88602	15	42	15	13	17	1
8603	87603	88603	17	47	16	14	18	1
8604	87604	88604	20	52	19	15	23	1
8605	87605	88605	25	62	21	17	25	1
8606	87606	88606	30	72	23	19	27	1
8607	87607	88607	35	80	25	21	29	1.5
8608	87608	88608	40	90	27	23	31	1.5
8609	87609	88609	45	100	30	25	36	1.5



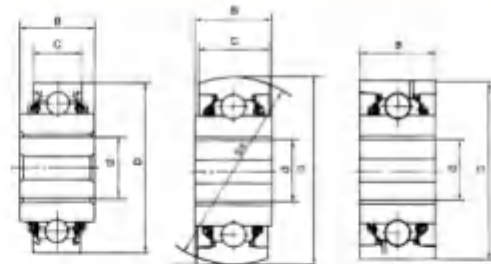
BCA	Bearing No. SST	TYPE	d	D	C	B	R
MG206FFH	MG206-2RS-1	2	30	76.200	28.575	16.000	
MG206FFA		3	30	79.375	28.575	16.586	6.350
		2	30	81.280	25.400	19.586	3.000
MG207FFA		1	35	88.392	31.750	17.000	1.520
MG207FFR	MG208-2RS-1	4	35	91.237	31.877	21.000	1.020
MR207FFH		4	35	110.287	30.277	21.000	
MR207FFK		2	40	100.838	25.400	19.588	3.000
MG208FFA		2	45	100.965	28.473	19.000	3.000
MG209DD	MG305-2RS-1	3	25	76.200	25.400	17.000	8.382
MG305DD	MG305-2RS-1	3	25.4	74.600	25.400	17.000	8.382
MG305DDA	MG305-2RS3	3	25	76.352	24.765	26.000	9.042
	MG306-2RS-1	3	30	82.550	26.975	19.000	1.016
MG306ddb		3	30	88.900	25.400	19.000	9.525
MG306DD	MG307-2RS-1	3	35	101.346	28.575	21.000	1.524
MG307FF	MG307-2RS-2		35	94.615	25.400	21.000	9.625
MG307FFK		1	35	101.092	31.750	21.000	1.524
MG307FFB		4	35	101.346	28.575	21.000	
MG307FFE	MG307-2RS-3	3	35	101.600	28.575	21.000	9.525
MG307FFA	MG307-2RS-4	3	35	101.346	28.575	21.000	6.985
	MG307-2RS-5	3	35	101.346	28.575	21.000	9.525
MG307FFH		3	35	101.600	30.163	21.000	9.525
MG307FFA		3	35	101.346	28.575	21.000	
MG307FFE	MG308-2RS-1	3	40	101.346	31.750	23.000	9.780
MG308FFA		3	40	101.600	28.575	23.000	6.600
MG308FFH			40	95.758	28.575	21.000	8.153
MG308TISP1			40	94.996	28.575	21.000	8.153
MG308TISP2			40	101.346	28.575	21.000	9.525
MG308TISP3			40	101.981	28.757	21.000	9.525
MG308TISP4	MG309-2RS-1	3	45	127.063	31.750	25.000	7.938
MG309DDA	MG309-2RS-2	5	45	128.219	31.750	25.000	
	MG309-2RS-3	3	45	127.063	31.750	27.000	11.113
	MG311-2RS-1	3	55	152.476	38.100	29.000	11.113



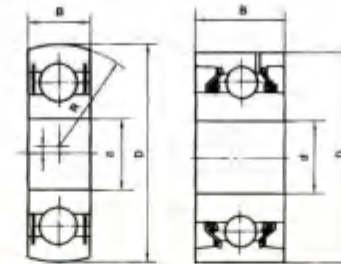
Bearing No.	d	D	B	C
205kRRB2	22.25	52	25.4	15
205PPB13	22.25	52	25.4	15
206kRRB6	25.43	62	24	16
206kPPB3	25.43	62	24	16
207kPPB3	31.77	72	25	17
207kRRB9	28.6	72	37.7	17
207kRRB12	28.6	72	25	17
207kRRB17	28.6	72	25	17
G206kPPB4	25.43	62	24	18
G206kRRB6	25.43	62	24	18
G207kPPB2	28.6	72	37.7	19
GW208kRRB5	31.77	80	36.53	21
GW208PPB22	31.88	80	36.53	21
W208PPB16	31.77	80	36.53	18
W208kRRB6	34.95	80	36.53	21
209kRRB2	38.125	85	30	19



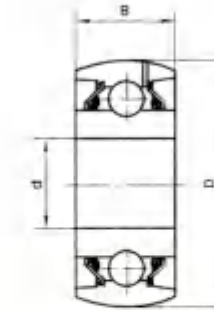
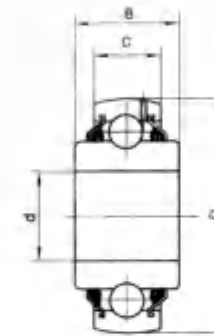
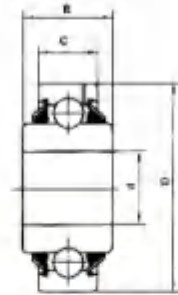
Bearing No.	d	D	B	C
W208PPB13	22.97	80	36.53	18
W208PPB6	26.13	80	36.53	18
W208PPB5	29.97	80	36.53	18
W208PPB8	29.97	80	36.53	30.18
W208PPB9	26.13	80	36.53	30.18
W209PPB5	32.77	85	36.53	30.18
W210PPB6	29.97	90	36.53	30.18
GW208PPB6	26.13	80	36.53	24
GW208PPB5	29.97	80	36.53	24
GW208PPB8	29.97	80	36.53	30.18
GW208PPB17	29.97	85.735	36.53	30.18
GW209PPB5	32.77	85	36.53	30.18
GW216PPB4	45.77	140	63.5	30
GW216PPB2	58.57	140	63.5	30
W210PPB4	29.97	90	30.18	30.18
W211PB3	38.89	100	33.34	33.34
GW210PPB4	29.97	90	30.18	30.18
GW211PB3	38.89	100	33.34	33.34
GW214PPB4	52.17	125	39.69	39.69



Bearing No.	d	D	B	C
W208PP6	26.13	80	36.53	18
W208PP5	29.97	80	36.53	18
W208PP20	29.97	80	36.53	18
W208PP8	29.97	80	36.53	30.18
W208PP9	26.13	80	36.53	30.18
W211PP5	38.89	101.6	44.45	36.53
W208PPB12	29.97	85.738	36.53	30.18
W208PPB11	22.97	85.738	36.53	30.18
GW208PP17	29.97	85.738	36.53	30.18
GW210PP4	29.97	90	30.18	30.18
W210PP4	29.97	90	30.18	30.18
GW211PP17	38.89	100	44.45	33.34
GW211PP3	38.89	100	33.34	33.34
W211PP3	38.89	100	33.34	33.34
W216PP2	58.57	140	63.5	30

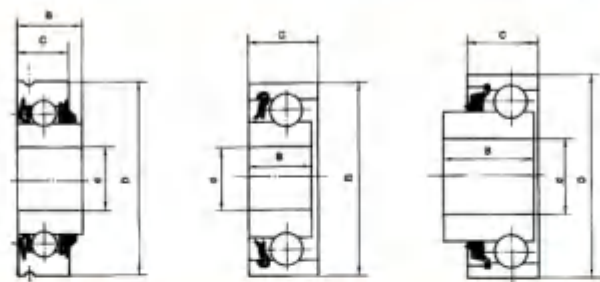


Bearing No.	d	D	B
202NPP9	12.7	38.1	11
202kRR7	12.7	38.1	14.27
203NPP9	15.9	40	12.95
P204RR6	19.05	45.22	15.49
204RR7	19.063	45.22	15.49
204RR6	19.063	45.22	15.49
W210PP8	38.86	90	30.18
W210PP2	49.23	90	30.18
W211PP2	55.58	100	33.34
W214PP2	70	125	39.69
GW210PP3	35.73	90	30.18
GW211PP2	55.58	100	33.34
GW214PP2	70	125	39.69

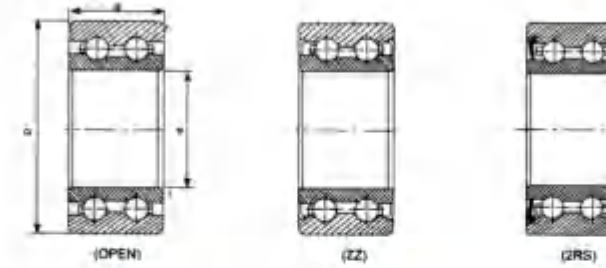
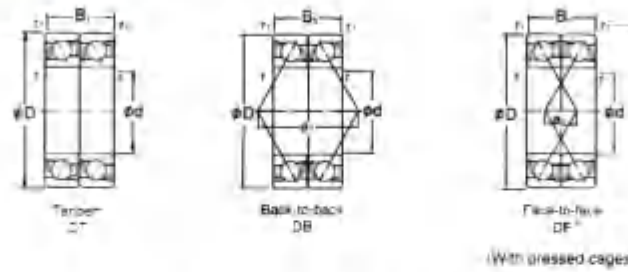


Bearing No.	d	D	B	C
203kRR2	16.258	40.00	18.29	12.00
203kRR5	13.081	40.00	18.29	12.00
203kRR7	17.000	40.00	16.61	12.00
203kRR6	16.260	47.00	18.29	12.00
204kRNP5	15.570	45.22	28.57	15.49
205kRR6	13.080	52.00	34.92	15.00
205kRR7	12.700	52.00	38.10	15.00
206kRR8	30.000	62.00	24.00	16.00
207kRR	35.000	72.00	25.00	17.00
207kRR14	31.826	72.00	25.00	17.00
207kYY	35.000	72.00	25.00	17.00
205kR4	25.413	52.00	25.40	15.00
206kR7	30.000	62.00	24.00	16.00
205PP9	19.050	52.00	34.92	15.00
205PP10	15.875	52.00	34.92	15.00
205PP11	25.400	52.00	30.15	15.00
205PP12	15.875	52.00	38.10	15.00
206kRR13	19.050	62.00	24.00	16.00
W208PP10	38.113	80.00	42.86	21.00
208kRR2	40.000	80.00	27.00	21.00
209kRR3	45.000	85.00	27.00	21.00
210kRR	50.000	90.00	30.00	20.00
212kRR	60.000	110.00	36.00	22.00
GW210PP9	49.400	90.00	36.53	23.00
GW210PP5	63.860	140.00	63.50	30.00

Bearing No.	d	D	B	C
205PPB7	23.813	52	34.92	15.00
RE205PPB7.S	25.400	52	34.92	15.00
206kRRB3	28.575	62	24.00	16.00
206kRRB9	25.400	62	24.00	16.00
G205PPB7	23.813	52	34.92	15.00
W208PPB7	30.180	80	30.18	18.00
W208PPB2	38.113	80	42.86	18.00
W208PPB23	38.113	80	42.86	30.18
W214PPB9	70.260	125	44.45	28.00
208NPPB5	36.525	80	22.00	22.00
W208PPB4	30.175	80	30.18	30.18
W209PPB2	45.000	85	30.18	30.18
W209PPB4	39.000	85	30.18	30.18
W210PPB2	49.230	90	30.18	30.18
W210PPB5	45.340	90	30.18	30.18
W211PPB2	55.580	100	33.34	33.34
W214PPB2	70.000	125	39.69	39.69
GW209PPB4	39.000	85	30.18	30.18
GW209PPB2	45.000	85	30.18	30.18
GW210PPB5	45.340	90	30.18	30.18
GW210PPB2	49.230	90	30.18	30.18
GW211PPB10	49.230	100	33.34	33.34
GW211PPB2	55.580	100	33.34	33.34
GW214PPB2	70.000	125	39.69	39.69
GW209PPB11	45.240	85	36.53	22.00
GW211PPB13	45.340	100	33.34	25.00
GW211PPB14	51.180	100	33.34	25.00
GW211PPB6	55.580	100	33.34	25.00
GW211PPB9	55.750	100	39.69	25.00
GW214PPB6	68.260	125	68.28	28.00
GW214PPB5	70.000	125	61.90	39.69



Bearing No.	d	D	B	C
203kR2	15.883	40	14	12
206kRD	30	62	19	16
203JD	17	40	14	12
204kRD4	16.02	47	17.5	14
H206kPP2	19.05	62	24	16
204RY2	16.03	45.22	18.67	15.49
205RVA	19.05	52	21	15
205GP	16	53	19.5	18.2
205KR3	19.05	52	16.26	17.78
205kP6	19.08	52	23.39	17.78

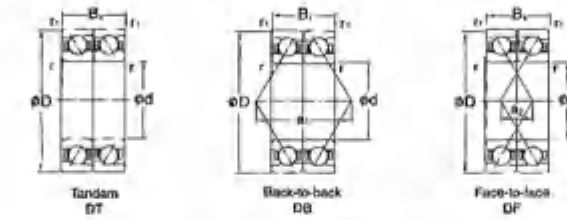
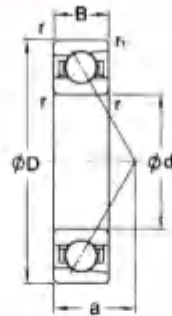


DUPLEX-ANGULAR CONTACT BALL BEARINGS

Tandem	Bearing No. back-to-back	face-to-face	d	D	B1	r _{min}	r _{1min}
7213C/DT	7213C/DB	7213C/DF	65	120	46	1.5	0.8
7213AC/DT	7213AC/DB	7213AC/DF					
7213B/DT	7213B/DB	7213B/DF					
7214C/DT	7214C/DB	7214C/DF	70	125	48	1.5	0.6
7214AC/DT	7214AC/DB	7214AC/DF					
7214B/DT	7214B/DB	7214B/DF					
7215C/DT	7215C/DB	7215C/DF	75	130	50	1.5	0.6
7215AC/DT	7215AC/DB	7215AC/DF					
7215B/DT	7215B/DB	7215B/DF					
7216C/DT	7216C/DB	7216C/DF	80	140	52	2	1
7216AC/DT	7216AC/DB	7216AC/DF					
7216B/DT	7216B/DB	7216B/DF					
7218C/DT	7218C/DB	7218C/DF	90	160	60	2	1
7218AC/DT	7218AC/DB	7218AC/DF					
7218B/DT	7218B/DB	7218B/DF					
7220C/DT	7220C/DB	7220C/DF	100	180	68	2.1	1.1
7220AC/DT	7220AC/DB	7220AC/DF					
7220B/DT	7220B/DB	7220B/DF					
7305C/DT	7305C/DB	7305C/DF	25	82	34	1.1	0.6
7305AC/DT	7305AC/DB	7305AC/DF					
7305B/DT	7305B/DB	7305B/DF					
7306C/DT	7306C/DB	7306C/DF	30	72	38	1.1	0.6
7306AC/DT	7306AC/DB	7306AC/DF					
7306B/DT	7306B/DB	7306B/DF					
7307C/DT	7307C/DB	7307C/DF	35	80	42	1.5	0.6
7307AC/DT	7307AC/DB	7307AC/DF					
7307B/DT	7307B/DB	7307B/DF					
7308C/DT	7308C/DB	7308C/DF	40	90	48	1.5	0.6
7308AC/DT	7308AC/DB	7308AC/DF					
7308B/DT	7308B/DB	7308B/DF					
7309C/DT	7309C/DB	7309C/DF	45	100	50	1.5	0.6
7309AC/DT	7309AC/DB	7309AC/DF					
7309B/DT	7309B/DB	7309B/DF					
7310C/DT	7310C/DB	7310C/DF	50	110	54	2	1
7310AC/DT	7310AC/DB	7310AC/DF					
7310B/DT	7310B/DB	7310B/DF					
7311C/DT	7311C/DB	7311C/DF	65	120	68	2	1
7311AC/DT	7311AC/DB	7311AC/DF					
7311B/DT	7311B/DB	7311B/DF					
7312C/DT	7312C/DB	7312C/DF	80	130	62	2.1	1.1
7312AC/DT	7312AC/DB	7312AC/DF					
7312B/DT	7312B/DB	7312B/DF					
7313C/DT	7313C/DB	7313C/DF	85	140	66	2.1	1.1
7313AC/DT	7313AC/DB	7313AC/DF					
7313B/DT	7313B/DB	7313B/DF					
7314C/DT	7314C/DB	7314C/DF	70	150	70	2.1	1.1
7314AC/DT	7314AC/DB	7314AC/DF					
7314B/DT	7314B/DB	7314B/DF					

3200 3300 SERIES DOUBLE-ROW ANGULAR CONTACT BALL BEARINGS WITH FILLING SLOT

Bearing No.	Dimensions (mm)					Basic load ratings (kN)		Limiting Speeds (rpm)		Mass(kg)
	d	D	B	r	a	C _r	C _{or}	Grease	oil	
3200	10	30	14.3	0.6	16.5	8.4	6.5	14000	19000	0.051
3201	12	32	15.9	0.6	20.5	6.45	5.7	13000	17000	0.060
3202	15	35	15.9	0.6	22.5	11.1	9.1	11000	15000	0.059
3203	17	40	17.5	0.6	25.5	14.2	11.8	9900	13000	0.099
3204	20	47	20.6	1.0	29.5	17.5	15.2	8800	12000	0.166
3205	25	52	20.6	1.0	32.5	19.3	18.4	7300	9800	0.183
3206	30	62	23.8	1.0	38.5	27.7	27.4	6300	8400	0.303
3207	35	72	27.0	1.1	44.5	37.5	38.0	5500	7400	0.458
3208	40	80	30.2	1.1	49.0	40.5	45.0	4900	6800	0.627
3209	45	85	30.2	1.1	52.5	46.5	52.0	4400	5900	0.678
3210	50	90	30.2	1.1	55.5	52.5	60.0	4000	5200	0.698
3211	55	100	33.3	1.5	61.5	66.0	78.5	3600	4900	1.070
3212	60	110	36.5	1.5	67.5	70.5	88.0	3400	4500	1.340
3213	65	120	38.1	1.5	72.5	78.0	99.0	3100	4200	1.680
3214	70	125	39.7	1.5	78.5	88.0	110.0	2900	3900	1.840
3215	75	130	41.3	1.5	79.5	94.0	122.0	2700	3600	2.010
3216	80	140	44.4	2.0	88.0	104.0	131.0	2500	3400	2.710
3217	85	150	49.2	2.0	95.0	121.0	155.0	2400	3200	3.480
3218	90	168	52.4	2.0	101.0	135.0	170.0	2200	3000	4.240
3219	95	170	55.6	2.1	106.0	144.0	184.0	2100	2800	5.100
3220	100	180	60.3	2.1	111.0	159.0	214.0	2000	2700	5.890
3221	105	190	65.1	2.1	124.2	223.0	237.0	2000	2600	7.370
3222	110	200	69.8	2.1	131.4	266.0	363.0	1900	2500	8.800
3302	15	42	19.0	1.0	28.0	14.2	11.8	9900	13000	0.127
3303	17	47	22.2	1.0	28.5	17.5	15.0	9000	12000	0.185
3304	20	52	22.2	1.1	32.0	21.1	18.6	8000	11000	0.221
3305	25	62	25.4	1.1	38.0	29.4	28.8	6700	8900	0.354
3306	30	72	30.2	1.1	44.5	39.0	36.8	5700	7600	0.558
3307	35	80	34.9	1.5	50.0	49.5	47.5	5000	6600	0.756
3308	40	90	36.5	1.5	55.0	54.5	67.5	4400	5900	1.030
3309	45	100	39.7	1.5	61.0	67.5	72.5	4000	5300	1.370
3310	50	110	44.4	2.0	67.0	81.5	89.5	3800	4800	1.980
3311	55	120	49.2	2.0	75.0	96.5	108.0	3300	4400	2.420
3312	60	130	54.0	2.1	82.0	113.0	128.0	3000	4000	3.070
3313	65	140	58.7	2.1	88.5	131.0	150.0	2800	3700	3.900
3314	70	158	61.5	2.1	97.0	153.0	168.0	2600	3500	5.200
3315	75	160	68.3	2.1	104.0	172.0	191.0	2400	3200	6.300
3316	80	170	68.3	2.1	113.1	175.0	192.0	2400	3200	7.210
3317	85	180	73.0	2.1	128.8	190.0	210.0	2200	3300	8.300
3318	90	190	73.0	3.0	135.5	205.0	242.0	2100	3600	9.230
3319	95	200	77.8	3.0	132.3	218.0	270.0	2000	2800	10.900
3320	100	215	82.6	3.0	149.4	249.0	324.0	1800	2500	13.500



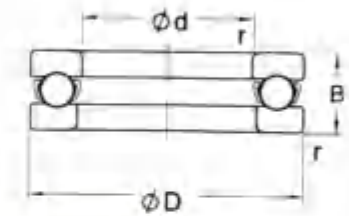
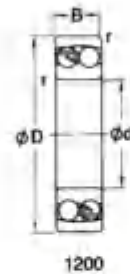
(With machined cages)

Bearing No.	d	D	B	r _{min}	r _{1min}
7000C	10	28	6	0.3	0.15
7001C	12	28	8	0.3	0.15
7002C	15	32	9	0.3	0.15
7003C	17	35	10	0.3	0.15
7004C	20	42	12	0.6	0.15
7005C	25	47	12	0.6	0.15
7006C	30	55	13	1	0.3
7007C	35	62	14	1	0.3
7008C	40	68	15	1	0.3
7009C	45	75	16	1	0.3
7010C	50	80	18	1	0.3
7011C	55	90	18	1.1	0.6
7012C	60	95	18	1.1	0.6
7013C	65	100	18	1.1	0.6
7014C	70	110	20	1.1	0.6
7015C	75	115	20	1.1	0.6
7016C	80	125	22	1.1	0.6
7017C	85	130	22	1.1	0.6
7018C	90	140	24	1.5	0.6
7019C	95	145	24	1.5	0.6
7020C	100	150	24	1.5	0.6
7200C	10	30	9	0.6	0.15
7201C	12	32	10	0.6	0.15
7202C	15	35	11	0.6	0.15
7203C	17	40	12	0.6	0.3
7204C	20	47	14	1	0.3
7205C	25	52	15	1	0.3
7206C	30	62	16	1	0.3
7207C	35	72	17	1.1	0.6
7208C	40	80	18	1.1	0.6
7209C	45	85	19	1.1	0.6
7210C	50	90	20	1.1	0.6
7211C	55	100	21	1.5	0.6
7212C	60	110	22	1.5	0.6
7213C	65	120	23	1.5	0.6
7214C	70	125	24	1.5	0.6
7215C	75	130	25	1.5	0.6
7216C	80	140	26	2	1
7217C	85	150	28	2	1
7218C	90	160	30	2	1
7219C	95	170	32	2.1	1.1
7220C	100	180	34	2.1	1.1

Bearing No.	d	D	B	r _{min}	r _{1min}
7301C	12	37	12	1	0.3
7302C	15	42	13	1	0.3
7303C	17	47	14	1	0.3
7304C	20	52	15	1.1	0.6
7305C	25	62	17	1.1	0.6
7306C	30	72	19	1.1	0.6
7307C	35	80	21	1.5	0.6
7308C	40	90	23	1.5	0.6
7309C	45	100	25	1.5	0.6
7310C	50	110	27	2	1
7311C	55	120	29	2	1
7312C	60	130	31	2.1	1.1
7313C	65	140	33	2.1	1.1
7314C	70	150	35	2.1	1.1
7315C	75	160	37	2.1	1.1
7316C	80	170	39	2.1	1.1
7317C	85	180	41	3	1.1
7318C	90	190	43	3	1.1
7319C	95	200	45	3	1.1
7320C	100	215	47	3	1.1
7204B	20	47	14	1	0.3
7205B	25	52	15	1	0.3
7206B	30	62	16	1	0.3
7207B	35	72	17	1.1	0.6
7208B	40	80	18	1.1	0.6
7209B	45	85	19	1.1	0.6
7210B	50	90	20	1.1	0.6
7211B	55	100	21	1.5	0.6
7212B	60	110	22	1.5	0.6
7213B	65	120	23	1.5	0.6
7214B	70	125	24	1.5	0.6
7215B	75	130	25	1.5	0.6
7305B	25	62	17	1.1	0.6
7306B	30	72	19	1.1	0.6
7307B	35	80	21	1.5	0.6
7308B	40	90	23	1.5	0.6
7309B	45	100	25	1.5	0.6
7310B	50	110	27	2	1
7311B	55	120	29	2	1
7312B	60	130	31	2.1	1.1
7313B	65	140	33	2.1	1.1
7314B	70	150	35	2.1	1.1
7315B	75	160	37	2.1	1.1

DUPLEX-ANGULAR CONTACT BALL BEARINGS

Tandem	Bearing No. back-to-back	face-to-face	d	D	B1	r _{min}	r _{1min}
7005C/DT	7005C/DB	7005C/DF	25	47	24	0.6	0.15
7006C/DT	7006C/DB	7006C/DF	30	55	26	1	0.3
7007C/DT	7007C/DB	7007C/DF	35	62	28	1	0.3
7008C/DT	7008C/DB	7008C/DF	40	68	30	1	0.3
7009C/DT	7009C/DB	7009C/DF	45	75	32	1	0.3
7010C/DT	7010C/DB	7010C/DF	50	80	32	1	0.3
7011C/DT	7011C/DB	7011C/DF	55	90	36	1.1	0.6
7012C/DT	7012C/DB	7012C/DF	60	95	36	1.1	0.6
7013C/DT	7013C/DB	7013C/DF	65	100	36	1.1	0.6
7014C/DT	7014C/DB	7014C/DF	70	110	40	1.1	0.6
7205C/DT	7205C/DB	7205C/DF	25	52	30	1	0.3
7206C/DT	7206C/DB	7206C/DF	30	62	32	1	0.3
7207C/DT	7207C/DB	7207C/DF	35	72	34	1.1	0.6
7208C/DT	7208C/DB	7208C/DF	40	80	36	1.1	0.6
7209C/DT	7209C/DB	7209C/DF	45	85	38	1.1	0.6
7210C/DT	7210C/DB	7210C/DF	50	90	40	1.1	0.6
7211C/DT	7211C/DB	7211C/DF	55	100	42	1.5	0.6
7212C/DT	7212C/DB	7212C/DF	60	110	44	1.5	0.6



Bearing No.	d	D	B	r _{min}
1200 1200K	10	30	9	0.6
1201 1201K	12	32	10	0.6
1202 1202K	15	35	11	0.6
1203 1203K	17	40	12	0.6
1204 1204K	20	47	14	1
1205 1205K	25	52	15	1
1206 1206K	30	62	16	1
1207 1207K	35	72	17	1.1
1208 1208K	40	80	18	1.1
1209 1209K	45	85	19	1.1
1210 1210K	50	90	20	1.1
1211 1211K	55	100	21	1.5
1212 1212K	60	110	22	1.5
1213 1213K	65	120	23	1.5
1214 1214K	70	125	24	1.5
1215 1215K	75	130	25	1.5
1216 1216K	80	140	26	2
1217 1217K	85	150	28	2
1218 1218K	90	160	30	2
1219 1219K	95	170	32	2.1
1220 1220K	100	180	34	2.1
1221	105	190	36	2.1
1222 1222K	110	200	38	2.1
1300	10	35	11	0.6
1301	12	37	12	1
1302	15	42	13	1
1303	17	47	14	1
1304 1304K	20	52	15	1.1
1305 1305K	25	62	17	1.1
1306 1306K	30	72	19	1.1
1307 1307K	35	80	21	1.5
1308 1308K	40	90	23	1.5
1309 1309K	45	100	25	1.5
1310 1310K	50	110	27	2

Bearing No.	d	D	B	r _{min}
1311 1311K	55	120	29	2
1312 1312K	60	130	31	2.1
1313 1313K	65	140	33	2.1
1314 1314K	70	150	35	2.1
1315 1315K	75	160	37	2.1
1316 1316K	80	170	39	2.1
1317 1317K	85	180	41	3
1318 1318K	90	190	43	3
1319 1319K	95	200	45	3
1320 1320K	100	215	47	3
1321	105	225	49	3
1322 1322K	110	240	50	3
2200	10	30	14	0.6
2202	15	35	14	0.6
2203	17	40	16	0.6
2204 2204K	20	47	18	1
2205 2205K	25	52	18	1
2206 2206K	30	62	20	1
2207 2207K	35	72	23	1.1
2208 2208K	40	80	23	1.1
2209 2209K	45	85	23	1.1
2210 2210K	50	90	23	1.1
2211 2211K	55	100	25	1.5
2212 2212K	60	110	28	1.5
2213 2213K	65	120	31	1.5
2214 2214K	70	125	31	1.5
2215 2215K	75	130	31	1.5
2216 2216K	80	140	33	2
2217 2217K	85	150	36	2
2218 2218K	90	160	40	2
2219 2219K	95	170	43	2.1
2220 2220K	100	180	46	2.1
2222 2222K	110	200	53	2.1

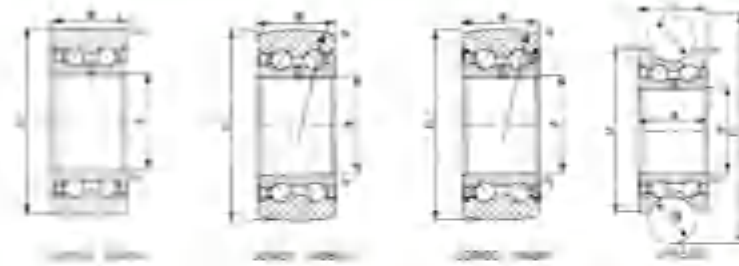
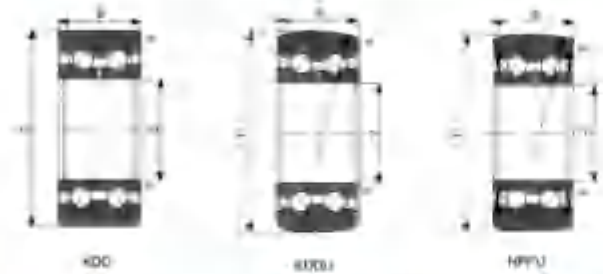
Bearing No.	d	D	B	r _{min}
51100	10	24	9	0.3
51101	12	26	9	0.3
51102	15	28	9	0.3
51103	17	30	9	0.3
51104	20	35	10	0.3
51105	25	42	11	0.6
51106	30	47	11	0.6
51107	35	52	12	0.6
51108	40	60	13	0.6
51109	45	65	14	0.6
51110	50	70	14	0.6
51111	55	78	16	0.6
51112	60	85	17	1.0
51113	65	90	18	1.0
51114	70	95	18	1.0
51115	75	100	19	1.0
51116	80	105	19	1.0
51117	85	110	19	1.0
51118	90	120	22	1.0
51120	100	135	25	1.0
51122	110	145	25	1.0
51124	120	155	25	1.0
51200	10	26	11	0.6
51201	12	28	11	0.6
51202	15	32	12	0.6
51203	17	35	12	0.6
51204	20	40	14	0.6
51205	25	47	15	0.6
51206	30	52	16	0.6
51207	35	62	18	1.0
51208	40	68	19	1.0
51209	45	73	20	1.0

Bearing No.	d	D	B	r _{min}
51210	50	78	22	1.0
51211	55	80	25	1.0
51212	60	95	26	1.0
51213	65	100	27	1.0
51214	70	105	27	1.0
51215	75	110	27	1.0
51216	80	115	28	1.0
51217	85	125	31	1.0
51218	90	135	35	1.1
51220	100	150	38	1.1
51222	110	160	38	1.1
51224	120	170	39	1.1
51226	130	190	45	1.5
51228	140	200	46	1.5
51304	20	47	18	1.0
51305	25	52	18	1.0
51306	30	60	21	1.0
51307	35	68	24	1.0
51308	40	78	26	1.0
51309	45	85	28	1.0
51310	50	95	31	1.1
51311	55	105	35	1.1
51312	60	110	35	1.1
51313	65	115	36	1.1
51314	70	125	40	1.1
51315	75	135	44	1.5
51316	80	140	44	1.5
51317	85	150	49	1.5
51318	90	155	50	1.5
51320	100	170	55	1.5
51322	110	190	63	2.0
51324	120	210	70	2.1



ANGULAR CONTACT BEARINGS

ANGULAR CONTACT BEARINGS



Double-row Angular Track Wheel Bearings

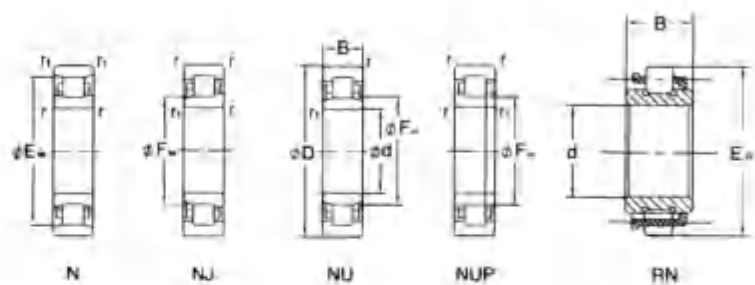
Double-row Angular Track Wheel Bearings

Bearing No.	Dimensions (mm)			Basic load ratings			Limiting Speeds (rpm)	Mass(kg)
	d	D	B	rs	Cr	Cor		
LR 50/5 NPPU	17	5	7.0	0.2	1.65	0.95	12000	0.01
LR 50/6 NPPU	19	6	9.0	0.3	2.26	1.31	11000	0.02
LR 50/7 NPPU	22	7	10.0	0.3	3.30	1.69	10000	0.02
LR 50/8 NPPU	24	8	11.0	0.3	4.20	2.36	10000	0.03
LR 5000 NPPU	28	10	12.0	0.3	4.75	2.65	9000	0.03
LR 5001 NPPU	30	12	12.0	0.3	4.95	3.10	8500	0.03
LR 5002 NPPU	35	15	13.0	0.6	6.50	4.10	7000	0.05
LR 5003 NPPU	40	17	14.0	0.6	7.70	5.20	6000	0.07
LR 5004 NPPU	47	20	16.0	1.0	11.50	7.70	5500	0.12
LR 5005 NPPU	52	25	16.0	1.0	11.60	8.10	4700	0.15
LR 5006 NPPU	62	30	19.0	1.0	16.80	11.80	5000	0.25
LR 5007 NPPU	68	35	20.0	1.0	17.60	13.10	4300	0.30
LR 5200 KDD	32	10	14.0	0.6	6.80	4.05	11000	0.08
LR 5201 KDD	35	12	15.9	0.6	8.60	5.10	10000	0.08
LR 5202 KDD	40	15	15.9	0.6	9.80	6.20	10000	0.11
LR 5203 KDD	47	17	17.5	0.6	12.60	8.20	7500	0.17
LR 5204 KDD	52	20	20.6	1.0	15.80	10.50	7000	0.23
LR 5205 KDD	62	25	20.6	1.0	18.50	13.00	6500	0.34
LR 5206 KDD	72	30	23.8	1.0	24.60	21.40	5000	0.51
LR 5207 KDD	80	35	27.0	1.1	30.50	22.40	3800	0.66
LR 5208 KDD	85	40	30.2	1.1	34.50	25.50	3500	0.75
LR 5200 KDDU	32	10	14.0	0.6	6.80	4.05	11000	0.07
LR 5201 KDDU	35	12	15.9	0.6	8.60	5.10	10000	0.08
LR 5202 KDDU	40	15	15.9	0.6	9.80	6.20	10000	0.11
LR 5203 KDDU	47	17	17.5	0.6	12.60	8.20	7500	0.17
LR 5204 KDDU	52	20	20.6	1.0	15.80	10.50	7000	0.23
LR 5205 KDDU	62	25	20.6	1.0	18.50	13.00	6500	0.34
LR 5206 KDDU	72	30	23.8	1.0	24.60	21.40	5000	0.51
LR 5207 KDDU	80	35	27.0	1.1	30.50	22.40	3800	0.66
LR 5208 KDDU	85	40	30.2	1.1	34.50	25.50	3500	0.75
LR 5200 NPPU	32	10	14.0	0.6	6.80	4.05	11000	0.07
LR 5201 NPPU	35	12	15.9	0.6	8.60	5.10	10000	0.08
LR 5202 NPPU	40	15	15.9	0.6	9.80	6.20	10000	0.11
LR 5203 NPPU	47	17	17.5	0.6	12.60	8.20	7500	0.17
LR 5204 NPPU	52	20	20.6	1.0	15.80	10.50	7000	0.23
LR 5205 NPPU	62	25	20.6	1.0	18.50	13.00	6500	0.34
LR 5206 NPPU	72	30	23.8	1.0	24.60	21.40	5000	0.51
LR 5207 NPPU	80	35	27.0	1.1	30.50	22.40	3800	0.66
LR 5208 NPPU	85	40	30.2	1.1	34.50	25.50	3500	0.75
LR 5303 KDDU	52	17	22.2	1.1	18.50	12.50	7500	0.28
LR 5304 KDDU	62	20	22.2	1.1	21.10	14.50	6500	0.34
LR 5305 KDDU	72	25	25.4	1.1	27.50	19.50	5500	0.50
LR 5306 KDDU	80	30	30.2	1.1	36.90	26.50	4300	0.67
LR 5307 KDDU	90	35	34.9	1.5	44.50	33.00	3600	0.97
LR 5308 KDDU	100	40	36.5	1.5	56.00	42.00	3000	1.20

Bearing No.	Dimensions (mm)			Limiting Speeds (rpm)		Mass(kg)
	d	D	B	Grease	oil	
305700C-ZZ	10	32	14.0	6800	4050	0.07
305701C-ZZ	12	35	15.9	8600	5100	0.08
305702C-ZZ	15	40	15.9	9800	6200	0.11
305802C-ZZ	15	40	15.9	9800	6200	0.11
306702C-ZZ	15	47	19.0	14600	9200	0.15
306802C-ZZ	15	47	19.0	14600	9200	0.15
305703C-ZZ	17	47	17.5	12600	8200	0.17
305803C-ZZ	17	47	17.5	12600	8200	0.17
306703C-ZZ	17	52	22.2	17200	11100	0.21
306803C-ZZ	17	52	22.2	17200	11100	0.21
305704C-ZZ	20	52	20.6	15800	10500	0.23
305804C-ZZ	20	52	20.6	15800	10500	0.23
306704C-ZZ	20	62	22.2	21100	14500	0.34
306804C-ZZ	20	62	22.2	21100	14500	0.34
305705C-ZZ	25	62	20.6	18500	13000	0.34
305805C-ZZ	25	62	20.6	18500	13000	0.34
306705C-ZZ	25	72	25.4	27500	18500	0.50
306805C-ZZ	25	72	25.4	27500	18500	0.50
305706C-ZZ	30	72	23.8	24600	21400	0.51
305806C-ZZ	30	72	23.8	24600	21400	0.51
306706C-ZZ	30	80	30.2	36500	26500	0.67
306806C-ZZ	30	80	30.2	36500	26500	0.67
305707C-ZZ	35	80	27.0	30500	22400	0.66
305807C-ZZ	35	80	27.0	30500	22400	0.66
306707C-ZZ	35	90	34.9	44500	33000	0.97
306807C-ZZ	35	90	34.9	44500	33000	0.97
306708C-ZZ	40	100	36.5	56000	42000	1.20

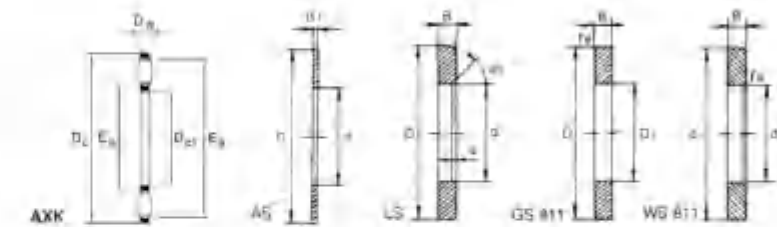
LFR Series Double-row Angular Contact Ball Bearings

Bearing No.	Dimensions (mm)				Basic load ratings (kN)		Mass(kg)
	e	D	C	B	Cr	Cor	
LFR 50/5 KDD	5	17	7.0	8.0	6	27.0	0.01
LFR 50/6 KDD	6	24	11.0	11.0	6	34.0	0.02
LFR 5201 KDD	12	35	15.9	15.9	10	51.3	0.08
LFR 5201-12 KDD	12	35	15.9	15.9	12	55.5	0.08
LFR 5301 KDD	12	42	19.0	19.0	10	58.0	0.10
LFR 5302 KDD	15	47	19.0	19.0	10	63.3	0.17
LFR 5204-16 KDD	20	52	20.6	22.6	16	79.0	0.23
LFR 5206-20 KDD	25	72	23.8	25.8	20	102.0	0.25
LFR 3206-25 KDD	25	72	23.8	25.8	25	112.0	0.25
LFR 5207-30 KDD	30	80	27.0	29.0	30	132.0	0.66
LFR 5208-40 KDD	40	96	36.0	38.0	40	155.0	1.36



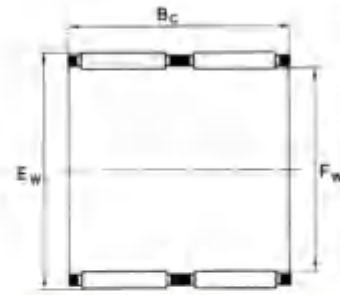
N, NU, NJ, NUP, RN SERIES

Bearing Number				d	D	E _w	B	r _{min}
N202	NJ202	NU202		15	35		11	0.6
N203	NJ203	NU203	NUP203	17	4		12	0.6
N204	NJ204	NU204	NUP204	RN204	20	47	14	1
N205	NJ205	NU205	NUP205	RN205	25	52	15	1
N206	NJ206	NU206	NUP206	RN206	30	62	16	1
N207	NJ207	NU207	NUP207	RN207	35	72	17	1.1
N208	NJ208	NU208	NUP208	RN208	40	80	18	1.1
N209	NJ209	NU209	NUP209	RN209E	45	85	19	1.1
N210	NJ210	NU210	NUP210	RN210E	50	90	20	1.1
N211	NJ211	NU211	NUP211	RN211E	55	100	21	1.5
N212	NJ212	NU212	NUP212	RN212E	60	110	22	1.5
N213	NJ213	NU213	NUP213	RN213E	65	120	23	1.5
N214	NJ214	NU214	NUP214	RN214E	70	125	24	1.5
N215	NJ215	NU215	NUP215	RN215E	75	130	25	1.5
N216	NJ216	NU216	NUP216	RN216E	80	140	26	2
N217	NJ217	NU217	NUP217	RN217E	85	150	28	2
N218	NJ218	NU218	NUP218	RN218	90	160	30	2
N219	NJ219	NU219	NUP219	RN219	95	170	32	2.1
N220	NJ220	NU220	NUP220	RN220	100	180	34	2.1
N221	NJ221	NU221	NUP221	RN221	105	190	36	2.1
N222	NJ222	NU222	NUP222	RN222	110	200	38	2.1
N304	NJ304	NU304	NUP304	RN304E	20	52	15	1.1
N305	NJ305	NU305	NUP305	RN305E	25	62	17	1.1
N306	NJ306	NU306	NUP306	RN306	30	72	19	1.1
N307	NJ307	NU307	NUP307	RN307	35	80	21	1.5
N308	NJ308	NU308	NUP308	RN308	40	90	23	1.5
N309	NJ309	NU309	NUP309	RN309	45	100	25	1.5
N310	NJ310	NU310	NUP310	RN310	50	110	27	2
N311	NJ311	NU311	NUP311	RN311E	55	120	29	2
N312	NJ312	NU312	NUP312	RN312	60	130	31	2.1
N313	NJ313	NU313	NUP313	RN313	65	140	33	2.1
N314	NJ314	NU314	NUP314	RN314	70	150	35	2.1
N315	NJ315	NU315	NUP315	RN315E	75	160	37	2.1
N316	NJ316	NU316	NUP316	RN316E	80	170	39	2.1
N317	NJ317	NU317	NUP317	RN317	85	180	41	3
N318	NJ318	NU318	NUP318	RN318E	90	190	43	3
N319	NJ319	NU319	NUP319	RN319E	95	200	45	3
N320	NJ320	NU320	NUP320	RN320E	100	215	47	3
N321	NJ321	NU321	NUP321		105	225	49	3
N406	NJ406	NU406	NUP406		30	90	23	1.5
N407	NJ407	NU407	NUP407		35	100	25	1.5
N408	NJ408	NU408	NUP408		40	110	27	2
N409	NJ409	NU409	NUP409		45	120	29	2
N410	NJ410	NU410	NUP410		50	130	31	2.1
N412	NJ412	NU412	NUP412		60	150	35	2.1
N413	NJ413	NU413	NUP413		65	160	37	2.1
N414	NJ414	NU414	NUP414		70	180	42	3
N415	NJ415	NU415	NUP415		75	190	45	3
N416	NJ416	NU416	NUP416		80	200	48	3
N417	NJ417	NU417	NUP417		85	210	52	4
N418	NJ418	NU418	NUP418		90	225	54	4
N419	NJ419	NU419	NUP419		95	240	55	4



AXK, AS, LS, GS, WS SERIES

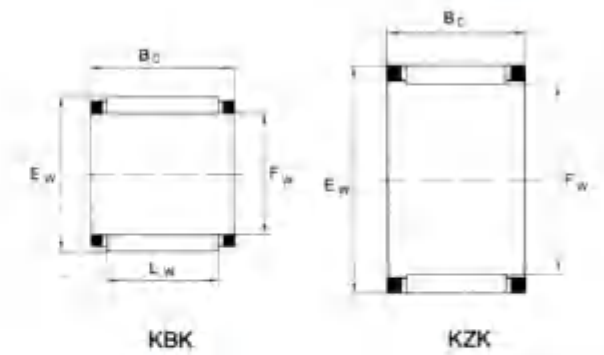
Bearing Number					D _{c1} d	D ₁	D _c D	d ₁	D _w	B ₁	B	a rs
AXK0414TN	AS0414				4		14		2	1		
AXK0515TN	AS0515				5		15		2	1		
AXK0619TN	AS0619	LS0619			6		19		2	1	2.75	0.3
AXK0821TN	AS0821	LS0821			8		21		2	1	2.75	0.3
AXK1024	AS1024	LS1024			10		24		2	1	2.75	0.3
AXK1226	AS1226	LS1226			12		26		2	1	2.75	0.3
AXK1528	AS1528	LS1528	GS81102	WS81102	15	16	28	28	2	1	2.75	0.3
AXK1730	AS1730	LS1730	GS81103	WS81103	17	18	30	30	2	1	2.75	0.3
AXK2035	AS2035	LS2035	GS81104	WS81104	20	21	35	35	2	1	2.75	0.3
AXK2542	AS2542	LS2542	GS81105	WS81105	25	26	42	42	2	1	3.00	0.6
AXK3047	AS3047	LS3047	GS81106	WS81106	30	32	47	47	2	1	3.00	0.6
AXK3552	AS3552	LS3552	GS81107	WS81107	35	37	52	52	2	1	3.50	0.6
AXK4060	AS4060	LS4060	GS81108	WS81108	40	42	60	60	3	1	3.50	0.6
AXK4565	AS4565	LS4565	GS81109	WS81109	45	47	65	65	3	1	4.00	0.6
AXK5070	AS5070	LS5070	GS81110	WS81110	50	55	70	70	3	1	4.00	0.6
AXK5578	AS5578	LS5578	GS81111	WS81111	55	57	78	78	3	1	5.00	0.6
AXK6085	AS6085	LS6085	GS81112	WS81112	60	62	85	85	3	1	4.75	1.0
AXK6590	AS6590	LS6590	GS81113	WS81113	65	67	90	90	3	1	5.25	1.0
AXK7095	AS7095	LS7095	GS81114	WS81114	70	72	95	95	4	1	5.25	1.0
AXK75100	AS75100	LS75100	GS81115	WS81115	75	77	100	100	4	1	5.75	1.0
AXK80105	AS80105	LS80105	GS81116	WS81116	80	82	105	105	4	1	5.75	1.0
AXK85110	AS85110	LS85110	GS81117	WS81117	85	87	110	110	4	1	5.75	1.0
AXK90120	AS90120	LS90120	GS81118	WS81118	90	92	120	120	4	1	6.50	1.0
AXK100135	AS100135	LS100135	GS81120	WS81120	100	102	135	135	4	1	7.00	1.0
AXK110145	AS110145	LS110145	GS81122	WS81122	110	112	145	145	4	1	7.00	1.0
AXK120155	AXK120155	LS120155	GS81124	WS81124	120	122	155	155	4	1	7.00	1.0
AXK130170	AS130170	LS130170	GS81126	WS81126	130	132	170	170	5	1	9.00	1.0
AXK140180	AS140180	LS140180	GS81128	WS81128	140	142	180	178	5	1	9.50	1.0
AXK150190	AS150190	LS150190	GS81130	WS81130	150	152	190	188	5	1	9.50	1.0
AXK160200	AS160200	LS160200	GS81132	WS81132	160	162	200	198	5	1	9.50	1.0



K...ZW SERIES

Bearing No.	Fw	Ew	Bc
K121624ZW	12	16	24
K151822ZW	15	18	22
K182224ZW	18	22	24
K253342ZW	25	33	42
K263333ZW	26	33	33
K304355ZW	30	43	55
K303531ZW	30	35	31
K353934ZW	35	39	34
K354044ZW	35	40	44
K354540ZW	35	45	40
K384444ZW	38	44	44
K404434.6ZW	40	44	34.6
K404434ZW	40	44	34
K414831ZW	41	48	31
K445030.5ZW	44	50	30.5
K455031ZW	45	50	31
K475746ZW	47	57	46
K475332ZW	47	53	32
K475552ZW	47	55	52
K475333ZW	47	53	33
K485440ZW	48	54	40

Bearing No.	Fw	Ew	Bc
K495532ZW	49	55	32
K525832ZW	52	58	32
K556140ZW	55	61	40
K576343ZW	57	63	43
K586536ZW	58	65	36
K627040ZW	62	70	40
K637144ZW	63	71	44
K657348ZW	65	73	48
K687540ZW	68	75	40
K687645ZW	68	76	45
K707843ZW	70	78	43
K758235ZW	75	82	35
K758240ZW	75	82	40
K758340ZW	75	83	40
K808835ZW	80	88	35
K808840ZW	80	88	40
K808846ZW	80	88	46
K829050ZW	82	90	50
K909840ZW	90	98	40
K9510340ZW	95	103	40
K11012052ZW	110	120	52

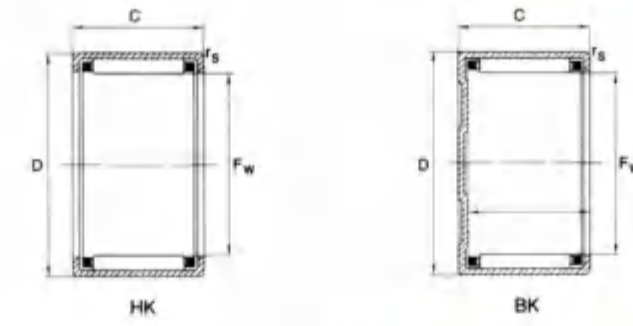


KZK, KBK SERIES

Bearing No.	Fw	Ew	Bc
KZK10130B	10	13	8
KZK10140B	10	14	8
KZK101410	10	14	10
KZK121610	12	16	10
KZK121710	12	17	10
KZK141810	14	18	10
KZK141813	14	18	13
KZK141820	14	18	20
KZK141912	14	19	12
KZK142009	14	20	9
KZK14.420.410	14.4	20.4	10
KZK152010	15	20	10
KZK162110	16	21	10
KZK162212	16	22	12
KZK182411.5	18	24	11.5
KZK182412	18	24	12
KZK182413.5	18	24	13.5
KZK182415	18	24	15
KZK182417	18	24	17
KZK192516	19	25	16
KZK202612	20	26	12
KZK202614	20	26	14
KZK202617	20	26	17
KZK202825	20	28	25
KZK202330	20	23	30
KZK222813	22	28	13
KZK222814	22	28	14

Bearing No.	Fw	Ew	Bc
KZK222815	22	28	15
KZK222816	22	28	16
KZK222915.7	22	29	15.7
KZK222916	22	29	16
KZK223014	22	30	14
KZK233014	23	30	14
KZK23.128.114	23.1	28.1	14
KZK23.332.317	23.3	32.3	17
KZK243015	24	30	15
KZK243016	24	30	16
KZK243017	24	30	17
KZK252913	25	29	13
KZK253120	25	31	20
KZK253216	25	32	16
KZK25.130.113.9	25.1	30.1	13.9
KZK263215	26	32	15
KZK283314	28	33	14
KZK283417	28	34	17
KZK283516	28	35	16
KZK283616	28	36	16
KZK283617	28	36	17
KZK303716	30	37	16
KZK303816	30	38	16
KZK303818	30	38	18
KZK324118	32	41	18
KZK354220	35	42	20
KZK404820	40	48	20

Bearing No.	Fw	Ew	Bc
KBK081110	8	11	10
KBK081111	8	11	11
KBK091312.5	9	13	12.5
KBK101314.5	10	13	14.5
KBK101412.5	10	14	12.5
KBK101413	10	14	13
KBK101415	10	14	15
KBK111512.5	11	15	12.5
KBK121513	12	15	13
KBK121515	12	15	15
KBK121516.6	12	15	16.6
KBK121517.5	12	15	17.5
KBK121613	12	16	13
KBK121616	12	16	16
KBK121617	12	16	17
KBK121714	12	17	14
KBK121714.5	12	17	14.5
KBK131714.5	13	17	14.5
KBK131717.5	13	17	17.5
KBK141813	14	18	13
KBK141814.5	14	18	14.5
KBK141817	14	18	17
KBK141720	14	17	20
KBK141821	14	18	21
KBK151920	15	19	20
KBK152024	15	20	24
KBK162020	16	20	20
KBK162024	16	20	24
KBK162118	16	21	18
KBK182222	18	22	22
KBK182224	18	22	24
KBK182225	18	22	25
KBK182323	18	23	23
KBK202430	20	24	30
KBK202522	20	25	22

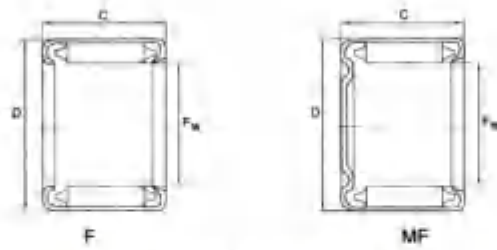

HK, BK SERIES
HK, BK SERIES

Bearing No.	Fw	D	C
HK0306TN BK0306TN	3	6.5	6
HK0408TN BK0408TN	4	8	8
HK0508TN BK0508TN	5	9	8
HK0509TN BK0509TN	5	9	9
HK050910 BK050910	5	9	10
HK0608 BK0608	6	10	8
HK0609 BK0609	6	10	9
HK0709 BK0709	7	11	9
HK081106 BK081106	8	11	6
HK081108 BK081108	8	11	8
HK081109 BK081109	8	11	9
HK081113 BK081113	8	11	13
HK0808 BK0808	8	12	8
HK0810 BK0810	8	12	10
HK0812 BK0812	8	12	12
HK0908	9	13	8
HK0910 BK0910	9	13	10
HK0912 BK0912	9	13	12
HK101323 BK101323	10	13	23
HK101408 BK101408	10	14	8
HK1010 BK1010	10	14	10
HK1012 BK1012	10	14	12
HK1015 BK1015	10	14	15
HK101515 BK101515	10	15	15
HK111410 BK111410	11	14	10
HK111512.3 BK111512.3	11	15	12.3
HK121608 BK121608	12	16	8
HK121609 BK121609	12	16	9
HK1210 BK1210	12	16	10
HK121612 BK121612	12	16	12
HK121810 BK121810	12	18	10

Bearing No.	Fw	D	C
HK1212 BK1212	12	18	12
HK1214 BK1214	12	18	14
HK1216 BK1216	12	18	16
HK121818 BK121818	12	18	18
HK1312 BK1312	13	19	12
HK13.52012 BK13.52012	13.5	20	12
HK142010 BK142010	14	20	10
HK1412 BK1412	14	20	12
HK142014 BK142014	14	20	14
HK142016 BK142016	14	20	16
HK142018 BK142018	14	20	18
HK152110 BK152110	15	21	10
HK1512 BK1512	15	21	12
HK1514 BK1514	15	21	14
HK1516 BK1516	15	21	16
HK152118 BK152118	15	21	18
HK152120 BK152120	15	21	20
HK1522 BK1522	15	21	22
HK162210 BK162210	16	22	10
HK1612 BK1612	16	22	12
HK1614 BK1614	16	22	14
HK1616 BK1616	16	22	16
HK162218 BK162218	16	22	18
HK162220 BK162220	16	22	20
HK1622 BK1622	16	22	22
HK172310 BK172310	17	23	10
HK1712 BK1712	17	23	18
HK1714 BK1714	17	23	14
HK172316 BK172316	17	23	16
HK1718 BK1718	17	23	18
HK1720 BK1720	17	23	20

Bearing No.	Fw	D	C
HK172514 BK172514	17	25	14
HK172517 BK172517	17	25	17
HK172518 BK172518	17	25	18
HK182410 BK182410	18	24	10
HK1812 BK1812	18	24	12
HK182414 BK182414	18	24	14
HK1816 BK1816	18	24	16
HK182414 BK182414	18	24	18
HK182420 BK182420	18	24	20
HK2010	20	26	10
HK2012 BK2012	20	26	12
HK2014 BK2014	20	26	14
HK2016 BK2016	20	26	16
HK202618 BK202618	20	26	18
HK2020 BK2020	20	26	20
HK2025 BK2025	20	26	25
HK2030 BK2030	20	26	30
HK202918 BK202918	20	29	18
HK212810 BK212810	21	28	10
HK213527 BK213527	21	35	27
HK2210	22	28	10
HK2212 BK2212	22	28	12
HK222814 BK222814	22	28	14
HK2216 BK2216	22	28	16
HK222818 BK222818	22	28	18
HK2220 BK2220	22	28	20
HK222930 BK222930	22	29	30
HK223020	22	30	20
HK253008 BK253008	25	30	8
HK2512 BK2512	25	32	12
HK2516 BK2516	25	32	16
HK2520 BK2520	25	32	20

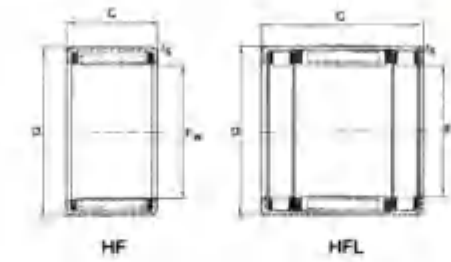
Bearing No.	Fw	D	C
HK2526 BK2526	25	32	26
HK2538 BK2538	25	32	38
HK253515 BK253515	25	35	15
HK2816 BK2816	28	35	16
HK2820 BK2820	28	35	20
HK283525 BK283525	28	35	25
HK3012 BK3012	30	37	12
HK3016 BK3016	30	37	16
HK3020 BK3020	30	37	20
HK3026 BK3026	30	37	26
HK3032 BK3032	30	37	32
HK3038 BK3038	30	37	38
HK3232 BK3232	32	39	32
HK324232 BK324232	32	42	32
HK3512 BK3512	35	42	12
HK3516 BK3516	35	42	16
HK3520 BK3520	35	42	20
HK354320 BK354320	35	43	20
HK4012 BK4012	40	47	12
HK4016 BK4016	40	47	16
HK4020 BK4020	40	47	20
HK424922 BK424922	42	49	22
HK4512	45	52	12
HK4516 BK4516	45	52	16
HK4520 BK4520	45	52	20
HK5020 BK5020	50	58	20
HK5025 BK5025	50	58	25
HK5520 BK5520	55	63	20
HK5528 BK5528	55	63	28
HK6012 BK6012	60	68	12
HK6020 BK6020	60	68	20
HK6032 BK6032	60	68	32



F, MF SERIES

Bearing No.	Fw	D	C
F071208 MF071208	7	12	8
F081410 MF081410	8	14	10
F081412 MF081412	8	14	12
F091510 MF091510	9	15	10
F091513 MF091513	9	15	13
F101410 MF101410	10	14	10
F101610 MF101610	10	16	10
F101615 MF101615	10	16	15
F121712 MF121712	12	17	12
F121715 MF121715	12	17	15
F121718 MF121718	12	17	18
F1212 MF1212	12	18	12
F1312 MF1312	13	19	12
F1412 MF1412	14	20	12
F1416 MF1416	14	20	16
F152012 MF152012	15	20	12
F152016 MF152016	15	20	16
F152020 MF152020	15	20	20
F1512 MF1512	15	21	12
F1516 MF1516	15	21	16
F1612 MF1612	16	22	12
F1616 MF1616	16	22	16
F1712 MF1712	17	23	12
F1714 MF1714	17	23	14
F1716 MF1716	17	23	16
F1718 MF1718	17	23	18
F1720 MF1720	17	23	20
F1722 MF1722	17	23	22
F1812 MF1812	18	24	12
F1816 MF1816	18	24	16
F2010 MF2010	20	26	10
F2012 MF2012	20	26	12
F2014 MF2014	20	26	14
F2016 MF2016	20	26	16
F2020 MF2020	20	26	20
F2025 MF2025	20	28	25
F2210 MF2210	22	28	10
F2216 MF2216	22	28	16
F2220 MF2220	22	28	20
F222925 MF222925	22	29	25

Bearing No.	Fw	D	C
F2512 MF2512	25	32	12
F2516 MF2516	25	32	16
F2520 MF2520	25	32	20
F2522 MF2522	25	32	22
F2525 MF2525	25	32	25
F2812 MF2812	28	35	12
F2816 MF2816	28	35	16
F2820 MF2820	28	35	20
F2826 MF2826	28	35	26
F283730 MF283730	28	37	30
F3014 MF3014	30	37	14
F3016 MF3016	30	37	16
F3020 MF3020	30	37	20
F3026 MF3026	30	37	26
F303816 MF303816	30	38	16
F303824 MF303824	30	38	24
F303832 MF303832	30	38	32
F3512 MF3512	35	42	12
F3516 MF3516	35	42	16
F3520 MF3520	35	42	20
F3526 MF3526	35	42	26
F354316 MF354316	35	43	16
F354325 MF354325	35	43	25
F354332 MF354332	35	43	32
F4016 MF4016	40	47	16
F4020 MF4020	40	47	20
F4026 MF4026	40	47	26
F405032 MF405032	40	50	32
F405038 MF405038	40	50	38
F4516 MF4516	45	52	16
F4520 MF4520	45	52	20
F4526 MF4526	45	52	26
F455538 MF455538	45	55	38
F5020 MF5020	50	58	20
F5025 MF5025	50	58	25
F5030 MF5030	50	58	30
F506038 MF506038	50	60	38
F5520 MF5520	55	63	20
F5528 MF5528	55	63	28
F6038 MF6038	60	68	38

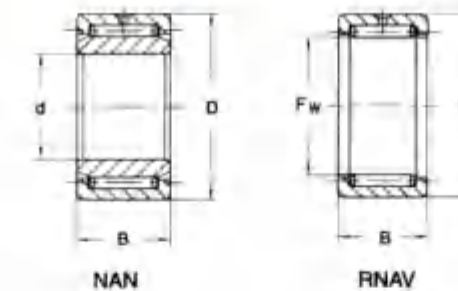


HF, FC SERIES

Bearing No.	Fw	D	C	F _{min}
HF0406 FC-4	4	8	6	0.3
HF0612 FC-6	6	10	12	0.3
HF0812 FC-8	8	12	12	0.3
HF1012 FC-10	10	14	12	0.3
HF1216 FC-12	12	18	16	0.3
HF1416 FC-14	14	20	16	0.3
HF1616 FC-16	16	22	16	0.3
HF1816 FC-18	18	24	16	0.3
HF2016 FC-20	20	26	16	0.3
HF2520 FC-25	25	32	20	0.3
HF3020 FC-30	32	37	20	0.3
HF3520 FC-35	35	42	20	0.3

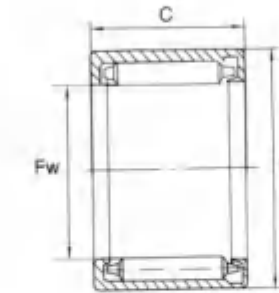
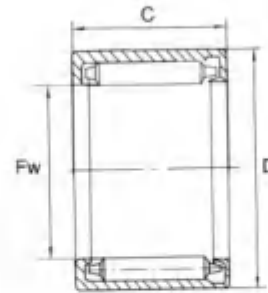
HFL, FCB SERIES

Bearing No.	Fw	D	C	F _{min}
HFL0822 FCB-8	8	12	22	0.3
HFL1022 FCB-10	10	14	22	0.3
HFL1226 FCB-12	12	18	26	0.3
HFL1426 FCB-14	14	20	26	0.3
HFL1626 FCB-16	16	22	26	0.3
HFL1826 FCB-18	18	24	26	0.3
HFL2026 FCB-20	20	26	26	0.3
HFL2530 FCB-25	25	32	30	0.3
HFL3030 FCB-30	30	37	30	0.3
HFL3530 FCB-35	35	42	30	0.3



RNAV, NAV SERIES

Bearing Number	d	Fw	D	B
RNAV4003 NAV4003	17	24.3	35	18
RNAV4004 NAV4004	20	28.7	42	22
RNAV4005 NAV4005	25	33.5	47	22
RNAV4006 NAV4006	30	40.1	55	25
RNAV4007 NAV4007	35	45.9	62	27
RNAV4008 NAV4008	40	51.6	68	28
RNAV4009 NAV4009	45	57.4	75	30
RNAV4010 NAV4010	50	62.1	80	30
RNAV4011 NAV4011	55	69.8	90	35
RNAV4012 NAV4012	60	74.6	95	35
RNAV4013 NAV4013	65	80.3	100	35
RNAV4014 NAV4014	70	88	110	40
RNAV4015 NAV4015	75	92.7	115	40



TA SERIES

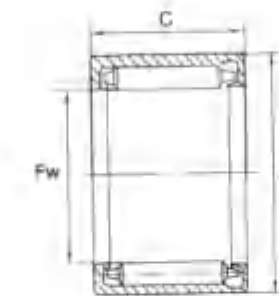
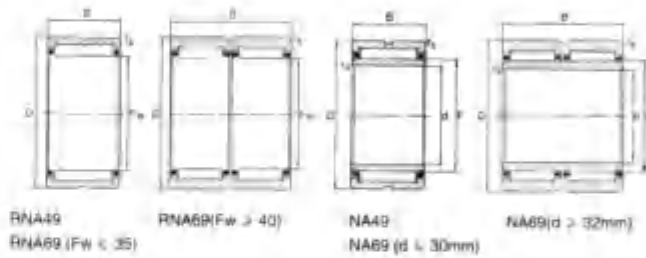
Bearing No.	Fw	D	C
TA2920	29	38	20
TA2930	29	38	30
TA3013	30	40	13
TA3015	30	40	15
TA3020	30	40	20
TA3025	30	40	25
TA3030	30	40	30
TA3220	32	42	20
TA3230	32	42	30
TA3512	35	45	12
TA3515	35	45	15
TA3520	35	45	20
TA3525	35	45	25
TA3530	35	45	30

Bearing No.	Fw	D	C
TA3720	37	47	20
TA3730	37	47	30
TA3815	38	48	15
TA3820	38	48	20
TA3825	38	48	25
TA3830	38	48	30
TAW3845	38	48	45
TA4015	40	50	15
TA4020	40	50	20
TA4025	40	50	25
TA4030	40	50	30
TA4040	40	50	40
TA4520	45	55	20
TA4525	45	55	25
TA4530	45	55	30

TA SERIES

Bearing No.	Fw	D	C
TA4540	45	55	40
TA5012	50	62	12
TA5015	50	62	15
TA5020	50	62	20
TA5025	50	62	25
TA5030	50	62	30
TA5040	50	62	40
TAW5045	50	62	45
TA5520	55	67	20
TA5525	55	67	25
TA5530	55	67	30
TA5540	55	67	40
TAW5545	55	67	45
TAW5550	55	67	50

Bearing No.	Fw	D	C
TA6025	60	72	25
TA6030	60	72	30
TA6040	60	72	40
TAW6045	60	72	45
TAW6050	60	72	50
TA6212	62	74	12
TA6225	65	77	25
TA6230	65	77	30
TAW6545	65	77	45
TA6550	65	77	50
TA7025	70	82	25
TA7030	70	82	30
TA7040	70	82	40
TAW7050	70	82	50



RNA49,NA49,RNA69,NA69 SERIES

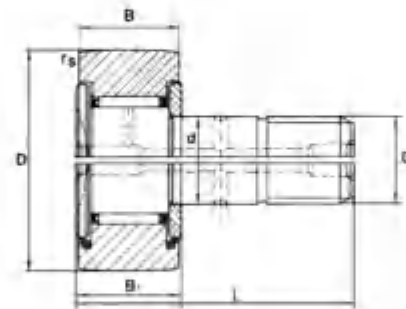
Bearing No.	Fw	d	D	B
RNA496 NA496	8	6	15	10
RNA497 NA497	9	7	17	10
RNA498 NA498	10	8	19	11
RNA499 NA499	12	9	20	11
RNA4900 NA4900	14	10	22	13
RNA4901 NA4901	16	12	24	13
RNA49-14R	18		26	13
RNA4902 NA4902	20	15	28	13
RNA4903 NA4903	22	17	30	13
RNA4904 NA4904	25	20	37	13
RNA49-22 NA49-22	28	22	39	17
RNA4905 NA4905	30	25	42	17
RNA49-28 NA49-28	32	28	45	17
RNA4906 NA4906	35	30	47	17
RNA49-32 NA49-32	40	32	52	20
RNA4907 NA4907	42	35	55	20
RNA49-38R	45		58	20
RNA4908 NA4908	48	40	62	22
RNA49-42R	50		65	22
RNA4909 NA4909	52	45	68	22
RNA49-48R	55		70	22
RNA4910 NA4910	58	50	72	22
RNA49-52R	60		75	22
RNA4911 NA4911	63	55	80	25
RNA49-58R	65		82	25
RNA4912 NA4912	68	60	85	25
RNA49-62	70		88	25
RNA4913 NA4913	72	65	90	25
RNA49-68	75		95	30

Bearing No.	Fw	d	D	B
RNA4914 NA4914	80	70	100	30
RNA4915 NA4915	85	75	105	30
RNA4916 NA4916	90	80	110	30
RNA49-82	95		115	30
RNA4917 NA4917	100	85	120	35
RNA4918 NA4918	105	90	125	35
RNA4919 NA4919	110	95	130	35
RNA6901 NA6901	16	12	24	22
RNA6902 NA6902	20	15	28	23
RNA6903 NA6903	22	17	30	23
RNA6904 NA6904	25	20	37	30
RNA69-22 NA69-22	28	22	39	30
RNA6905 NA6905	30	25	42	30
RNA69-28 NA69-28	32	28	45	30
RNA6906 NA6906	35	30	47	30
RNA69-32 NA69-32	40	32	52	36
RNA6907 NA6907	42	35	55	36
RNA6908 NA6908	48	40	62	40
RNA6909 NA6909	52	45	68	40
RNA6910 NA6910	58	50	72	40
RNA6911 NA6911	63	55	80	45
RNA6912 NA6912	68	60	85	45
RNA6913 NA6913	72	65	90	45
RNA6914 NA6914	80	70	100	54
RNA6915 NA6915	85	75	105	54
RNA6916 NA6916	90	80	110	54
RNA6917 NA6917	100	85	120	63
RNA6918 NA6918	105	90	125	63
RNA6919 NA6919	110	95	130	63

TA SERIES

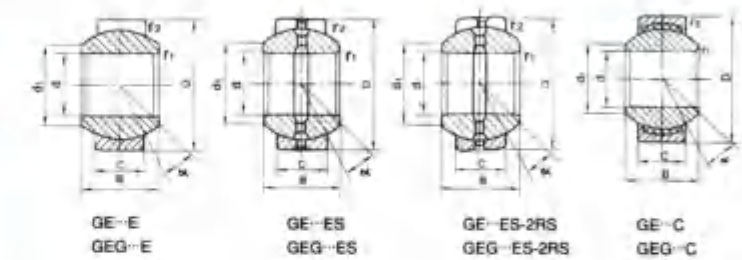
Bearing No.	Fw	D	C
TA0810	8	15	10
TA0815	8	15	15
TA0820	8	15	20
TA0912	9	16	12
TA0916	9	16	16
TA1010	10	17	10
TA1012	10	17	12
TA1015	10	17	15
TA1020	10	17	20
TA1212	12	19	12
TA1215	12	19	15
TA1220	12	19	20
TA1225	12	19	25
TA1416	14	22	16
TA1420	14	22	20
TA1510	15	22	10
TA1512	15	22	12
TA1515	15	22	15
TA1520	15	22	20
TA1525	15	22	25
TA1616	16	24	16
TA1620	16	24	20
TA1715	17	24	15
TA1720	17	24	20
TA1725	17	24	25
TA1813	18	25	13
TA1815	18	25	15
TA1817	18	25	17
TA1819	18	25	19
TA1820	18	25	20

Bearing No.	Fw	D	C
TA1825	18	25	25
TA1916	19	27	16
TA1920	19	27	20
TA2015	20	27	15
TA2020	20	27	20
TA2025	20	27	25
TA2030	20	27	30
TA202820	20	28	20
TA2116	21	29	16
TA2120	21	29	20
TA2210	22	29	10
TA2215	22	29	15
TA2220	22	29	20
TA2225	22	29	25
TA2230	22	29	30
TA223016	22	30	16
TA223020	22	30	20
TA2420	24	31	20
TA2428	24	31	28
TA243216	24	32	16
TA243220	24	32	20
TA2510	25	33	10
TA2515	25	33	15
TA2520	25	33	20
TA2525	25	33	25
TA2530	25	33	30
TA2616	26	34	16
TA2620	26	34	20
TA2820	28	37	20
TA2830	28	37	30



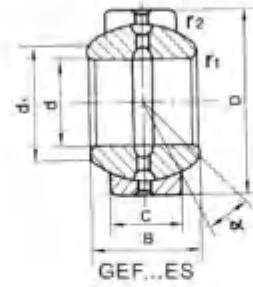
CF SERIES

Bearing No.	d	D	G	B ₁	B	L
CF3	3	10	M3x0.5	8	7	17
CF4	4	12	M4x0.7	9	8	20
CF5	5	13	M5x0.8	10	9	23
CF6	6	16	M6x1	12	11	28
CF8	8	19	M8x1.25	12	11	32
CF10	10	22	M10x1.25	13	12	36
CF10-1	10	26	M10x1.25	13	12	36
CF12	12	30	M12x1.5	15	14	40
CF12-1	12	32	M12x1.5	15	14	40
CF16	16	35	M16x1.5	19.5	18	52
CF18	18	40	M18x1.5	21.5	20	58
CF20	20	52	M20x1.5	25.5	24	66
CF20-1	20	47	M20x1.5	25.5	24	66
CF24	24	62	M24x1.5	30.5	29	80
CF24-1	24	72	M24x1.5	30.5	29	80
CF30	30	80	M30x1.5	37	35	100
CF30-1	30	85	M30x1.5	37	35	100
CF30-2	30	90	M30x1.5	37	35	100



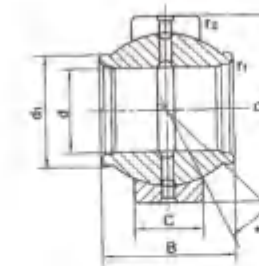
GE...E(ES),GE...ES-2RS,GEG...E(ES),GEG...ES-2RS,GE...C SERIES

Bearing No.	d	D	B	C	d _{1min}
GE4E	4	12	5	3	6
GE5E	5	14	6	4	7
GE6E	6	14	6	4	8
GE8E	8	16	8	5	10
GE10E	10	19	9	6	13
GE12E	12	22	10	7	15
GE15ES	15	26	12	9	18
GE17ES	17	30	14	10	20
GE20ES	20	35	16	12	24
GE25ES	25	42	20	16	29
GE30ES	30	47	22	18	34
GE35ES	35	55	25	20	39
GE40ES	40	62	28	22	45
GE45ES	45	68	32	25	50
GE50ES	50	75	35	28	55
GE60ES	60	90	44	36	66
GE70ES	70	105	49	40	77
GE80ES	80	120	55	45	88
GE90ES	90	130	60	50	98
GE100ES	100	150	70	55	109
GE110ES	110	160	70	55	120
GE120ES	120	180	85	70	130
GE140ES	140	210	90	70	150
GE160ES	160	230	105	80	170
GEG4E	4	14	7	4	7
GEG5E	5	16	9	5	8
GEG6E	6	16	9	5	9
GEG8E	8	19	11	6	11
GEG10E	10	22	12	7	13
GEG12E	12	26	15	9	16
GEG15ES	15	30	16	10	19
GEG17ES	17	35	20	12	21
GEG20ES	20	42	25	16	24
GEG25ES	25	47	28	18	29
GEG30ES	30	55	32	20	34
GEG35ES	35	62	35	22	39
GEG40ES	40	68	40	25	44
GEG45ES	45	75	43	28	50
GEG50ES	50	90	56	36	57
GEG60ES	60	105	63	40	67
GEG70ES	70	120	70	45	77
GEG80ES	80	130	75	50	87
GEG90ES	90	150	85	55	98
GEG100ES	100	160	85	55	110
GEG110ES	110	180	100	70	122
GEG120ES	120	210	115	70	132
GEG140ES	140	230	130	80	151
GEG160ES	160	260	135	80	176

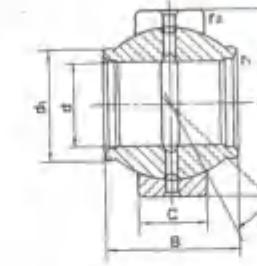


GEF... ES SERIES

Bearing No.	d	D	B	C	d ₁	r _{1s}	r _{2s}
GEF12ES	12	22	11	9	14	0.5	0.5
GEF15ES	15	26	13	11	17.5	0.5	0.5
GEF20ES	20	32	16	14	23	0.5	0.5
GEF22ES	22	37	19	16	25.5	0.5	0.5
GEF25ES	25	42	21	18	29	0.5	0.5
GEF30ES	30	50	27	23	36	1.0	1.0
GEF35ES	35	55	30	26	40	1.0	1.0
GEF40ES	40	62	33	28	44	1.0	1.0
GEF45ES	45	72	36	31	50.5	1.0	1.0
GEF50ES	50	80	42	36	58.5	1.0	1.0
GEF55ES	55	90	47	40	64.5	1.0	1.0
GEF60ES	60	100	53	45	72.5	1.0	1.0
GEF65ES	65	105	55	47	76	1.0	1.0
GEF70ES	70	110	58	50	81.5	1.0	1.0
GEF75ES	75	120	64	55	89.5	1.0	1.0
GEF80ES	80	130	70	60	97.5	1.0	1.0
GEF85ES	85	135	74	63	100.5	1.0	1.0
GEF90ES	90	140	76	65	105.5	1.0	1.0
GEF95ES	95	150	82	70	113.5	1.0	1.0
GEF100ES	100	160	88	75	121.5	1.5	1.5
GEF110ES	110	170	93	80	130	1.5	1.5
GEF115ES	115	180	98	85	132.5	1.5	1.5
GEF120ES	120	190	105	90	140	1.5	1.5
GEF130ES	130	200	110	95	148.5	1.5	1.5
GEF150ES	150	220	120	105	166	1.5	1.5



GEEW...ES



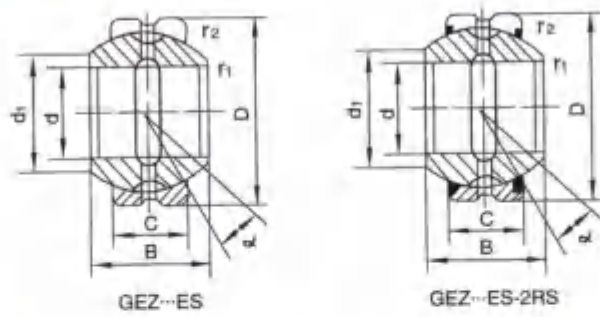
GEEM...ES-2RS

GEEW...ES SERIES

Bearing No.	d	D	B	C	d _{1min}	r _{1smin}	r _{2smin}
GEEW12ES	12	22	12	7	15.5	0.3	0.3
GEEW15ES	15	26	15	9	18.5	0.3	0.3
GEEW16ES	16	28	16	9	20	0.3	0.3
GEEW17ES	17	30	17	10	21	0.3	0.3
GEEW20ES	20	35	20	12	25	0.3	0.3
GEEW25ES	25	42	25	16	30.5	0.6	0.6
GEEW30ES	30	47	30	18	34	0.6	0.6
GEEW32ES	32	52	32	18	37	0.6	1.0
GEEW35ES	35	55	35	20	40	0.6	1.0
GEEW40ES	40	62	40	22	46	0.6	1.0
GEEW45ES	45	68	45	25	52	0.6	1.0
GEEW50ES	50	75	50	28	57	0.6	1.0
GEEW60ES	60	90	60	36	68	1.0	1.0
GEEW63ES	63	95	63	36	71.5	1.0	1.0
GEEW70ES	70	105	70	40	78	1.0	1.0
GEEW80ES	80	120	80	45	91	1.0	1.0
GEEW90ES	90	130	90	50	99	1.0	1.0
GEEW100ES	100	150	100	55	113	1.0	1.0
GEEW110ES	110	160	110	55	124	1.0	1.0
GEEW125ES	125	180	125	70	138	1.0	1.0
GEEW160ES	160	230	160	80	177	1.0	1.0

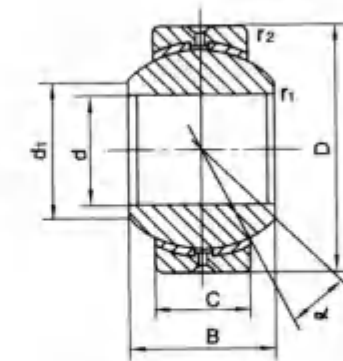
GEEM...ES-2RS SERIES

Bearing No.	d	D	B	C	d _{1min}	r _{1smin}	r _{2smin}
GEEM20ES-2RS	20	35	24	12	24	0.3	0.3
GEEM25ES-2RS	25	42	29	16	29	0.3	0.6
GEEM30ES-2RS	30	47	30	18	34	0.3	0.6
GEEM35ES-2RS	35	55	35	20	40	0.6	1.0
GEEM40ES-2RS	40	62	38	22	45	0.6	1.0
GEEM45ES-2RS	45	68	40	25	52	0.6	1.0
GEEM50ES-2RS	50	75	43	28	57	0.6	1.0
GEEM60ES-2RS	60	90	54	36	68	0.6	1.0
GEEM70ES-2RS	70	105	65	40	78	0.6	1.0
GEEM80ES-2RS	80	120	74	45	90	0.6	1.0



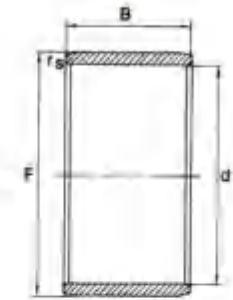
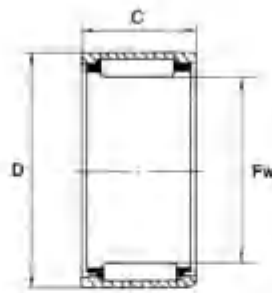
GEZ...ES,GEZ...ES-2RS SERIES

Bearing No.	d	D	B	C	d _{1min}	r _{1min}	r _{2min}
GEZ12ES	12.700	22.225	11.100	9.525	14.1	0.2	0.6
GEZ15ES	15.875	26.988	13.894	11.913	18.3	0.2	0.6
GEZ19ES	19.050	31.750	16.662	14.275	21.8	0.3	0.6
GEZ22ES	22.225	36.531	19.431	16.662	25.4	0.3	0.6
GEZ25ES GEZ25ES-2RS	25.400	41.275	22.225	19.050	27.6	0.3	0.6
GEZ31ES GEZ31ES-2RS	31.750	50.800	27.762	23.800	36.0	0.6	0.6
GEZ34ES GEZ34ES-2RS	34.925	55.563	30.150	26.187	38.6	0.6	1.0
GEZ38ES GEZ38ES-2RS	38.100	61.913	33.325	28.575	41.2	0.6	1.0
GEZ44ES GEZ44ES-2RS	44.450	71.438	38.887	33.325	50.7	0.6	1.0
GEZ50ES GEZ50ES-2RS	50.800	80.963	44.450	38.100	57.9	0.6	1.0
GEZ57ES GEZ57ES-2RS	57.150	90.488	50.013	42.650	64.9	0.6	1.0
GEZ63ES GEZ63ES-2RS	63.500	100.013	55.550	47.625	73.3	1.0	1.0
GEZ69ES GEZ69ES-2RS	69.850	111.125	61.112	52.375	79.1	1.0	1.0
GEZ76ES GEZ76ES-2RS	76.200	120.650	66.675	57.150	86.8	1.0	1.0
GEZ82ES GEZ82ES-2RS	82.550	130.175	72.238	61.900	94.5	1.0	1.0
GEZ88ES GEZ88ES-2RS	88.900	139.700	77.775	66.675	101.6	1.0	1.0
GEZ95ES GEZ95ES-2RS	95.250	149.225	83.337	71.425	108.7	1.0	1.0
GEZ101ES GEZ101ES-2RS	101.600	158.750	88.900	76.200	115.8	1.0	1.0
GEZ107ES GEZ107ES-2RS	107.950	168.275	94.463	80.950	122.8	1.0	1.0
GEZ114ES GEZ114ES-2RS	114.300	177.800	100.013	85.725	130.6	1.0	1.0
GEZ120ES GEZ120ES-2RS	120.650	187.325	105.562	90.475	137.6	1.0	1.0
GEZ127ES GEZ127ES-2RS	127.000	196.850	111.125	95.250	145.3	1.0	1.0
GEZ152ES GEZ152ES-2RS	152.400	222.250	120.650	104.775	168.2	1.0	1.0
GEZ165ES GEZ165ES-2RS	165.100	247.650	123.825	103.175	185.2	1.1	1.1



GEBK...S SERIES

Bearing No.	d	D	B	C	d _{1min}	r _{1min}	r _{2min}
GEBK5S	5	16	8	6	7.7	0.3	0.3
GEBK6S	6	18	9	6.75	9	0.3	0.3
GEBK8S	8	22	12	9	10.4	0.3	0.3
GEBK10S	10	26	14	10.5	12.9	0.3	0.6
GEBK12S	12	30	16	12	15.4	0.3	0.6
GEBK14S	14	34	19	13.5	16.9	0.3	0.6
GEBK16S	16	38	21	15	19.4	0.3	0.6
GEBK18S	18	42	23	16.5	21.9	0.3	0.6
GEBK20S	20	46	25	18	24.4	0.3	0.6
GEBK22S	22	50	28	20	25.8	0.3	0.6
GEBK25S	25	56	31	22	29.6	0.6	0.6
GEBK30S	30	66	37	25	34.8	0.6	0.6


TLA SERIES

Bearing No.	Fw	D	C
TLA48	4	8	8
TLA59	5	9	9
TLA69	6	10	9
TLA79	7	11	9
TLA810	8	12	10
TLA910	9	13	10
TLA912	9	13	12
TLA1010	10	14	10
TLA1012	10	14	12
TLA1015	10	14	15
TLA1210	12	16	10
TLA1212	12	18	12
TLA1312	13	19	12
TLA1412	14	20	12
TLA1416	14	20	16
TLA1512	15	21	12
TLA1516	15	21	16
TLA1522	15	21	22
TLA1612	16	22	12
TLA1616	16	22	16
TLA1622	16	22	22
TLA1712	17	23	12
TLA1812	18	24	12
TLA1816	18	24	16
TLA2012	20	26	12
TLA2016	20	26	16
TLA2020	20	26	20
TLA2030	20	26	30

Bearing No.	Fw	D	C
TLA2212	22	28	12
TLA2216	22	28	16
TLA2220	22	28	20
TLA2512	25	22	12
TLA2516	25	32	16
TLA2520	25	32	20
TLA2526	25	32	26
TLA2538	25	32	38
TLA2816	28	35	16
TLA2820	28	35	20
TLA3012	30	37	12
TLA3016	30	37	16
TLA3018	30	37	18
TLA3020	30	37	20
TLA3026	30	37	26
TLA3038	30	37	38
TLA3512	35	42	12
TLA3516	35	42	16
TLA3520	35	42	20
TLA4012	40	47	12
TLA4016	40	47	16
TLA4020	40	47	20
TLA4516	45	52	16
TLA4520	45	52	20
TLA5020	50	58	20
TLA5025	50	58	25
TLA5520	55	63	20
TLA5525	55	63	25

IR SERIES

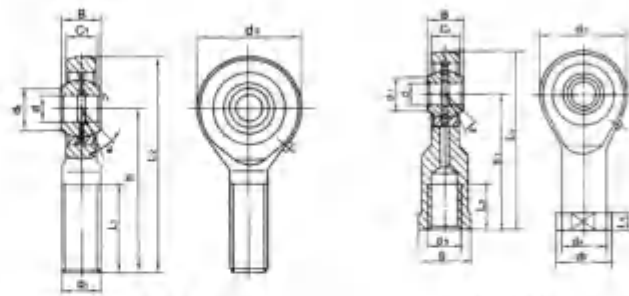
Bearing No.	d	F	B
IR060912	6	9	12
IR060916	6	9	16
IR061010	6	10	10
IR071010.5	7	10	10.5
IR081210	8	12	10
IR081210.5	8	12	10.5
IR081212	8	12	12
IR081212.5	8	12	12.5
IR091212	9	12	12
IR091216	9	12	16
IR101312.5	10	13	12.5
IR101412	10	14	12
IR101416	10	14	16
IR121512	12	15	12
IR121512.5	12	15	12.5
IR121516.5	12	15	16.5
IR121612	12	16	12
IR121616	12	16	16
IR151816	15	18	16
IR151816.5	15	18	16.5
IR151916	15	19	16
IR151920	15	19	20
IR152013	15	20	13
IR152023	15	20	23
IR172015	17	20	15
IR172020	17	20	20
IR172030.5	17	20	30.5
IR172116	17	21	16
IR172216	17	22	16
IR202416	20	24	16
IR202512.5	20	25	12.5
IR252516	20	25	16
IR202518	20	25	18
IR202530	20	25	30
IR202820	20	28	20
IR222616	22	26	16
IR222820	22	28	20
IR222817	22	28	17

Bearing No.	d	F	B
IR222820	22	28	20
IR222830	22	28	30
IR252920	25	29	20
IR253012.5	25	30	12.5
IR253016	25	30	16
IR253020	25	30	20
IR253030	25	30	30
IR253222	25	32	22
IR283217	28	32	17
IR293213	29	32	13
IR303512.5	30	35	12.5
IR303513	30	35	13
IR303517	30	35	17
IR303520	30	35	20
IR323720	32	37	20
IR323730	32	37	30
IR324020	32	40	20
IR333713	33	37	13
IR354017	35	40	17
IR354020	35	40	20
IR354221	35	42	21
IR384320	38	43	20
IR404517	40	45	17
IR404520	40	45	20
IR404822	40	48	22
IR404840	40	48	40
IR405020	40	50	20
IR424720	42	47	20
IR424730	42	47	30
IR455025	45	50	25
IR455035	45	50	35
IR455222	45	52	22
IR455240	45	55	40
IR455520	45	55	20
IR505520	50	55	20
IR505525	50	55	25
IR505535	50	55	35
IR505822	50	58	22

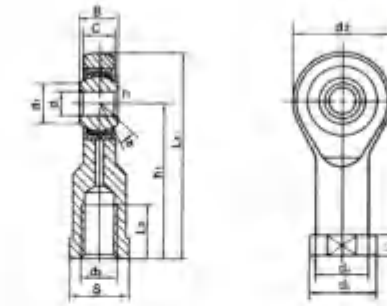
Bearing No.	d	F	B
IR505840	50	58	40
IR506020	50	60	20
IR506028	50	60	28
IR556025	55	60	25
IR556035	55	60	35
IR556325	55	63	25
IR556528	55	65	28
IR606825	60	68	25
IR607025	60	70	25
IR657225	65	72	25
IR657325	65	73	25
IR657528	65	75	28
IR708025	70	80	25
IR708054	70	80	54
IR758525	75	85	25
IR758554	75	85	54
IR809025	80	90	25
IR809035	80	90	35
IR809054	80	90	54
IR859526	85	95	26
IR8510035	85	100	35
IR8510063	85	100	63
IR9010026	90	100	26
IR9010036	90	100	36
IR9010535	90	105	35
IR9010563	90	105	63
IR9510526	95	105	26
IR9510536	95	105	36
IR9511035	95	110	35
IR9511065	95	110	65
IR10011030	100	110	30
IR10011540	100	115	40
IR11012030	110	120	30
IR11012540	110	125	40
IR12013030	120	130	30
IR12013545	120	135	45
IR13014535	130	145	35
IR13015050	130	150	50



SI...E(ES) SA...E(ES)



SA...E(ES) SI...E(ES)



SIJK...C, SI...C SERIES

SA...E(ES),SI...E(ES) SERIES

Bearing Number	d	B	C _{1max}	d _{1min}	d _{2min}	d ₃	l _{3min}	l _{2max}	h
SA5E	5	6	4.5	7	21	M5	16	48	36
SA6E	6	6	4.5	8	21	M6	16	48	36
SA8E	8	8	6.5	10	24	M8	21	55	42
SA10E	10	9	7.5	13	29	M10	26	63	48
SA12E	12	10	8.5	15	34	M12	28	71	54
SA15ES	15	12	10.5	18	40	M14	34	83	63
SA17ES	17	14	11.5	20	46	M16	36	92	69
SA20ES	20	16	13.5	24	53	M20x1.5	43	105	78
SA25ES	25	20	18	29	64	M24x2	53	126	94
SA30ES	30	22	20	34	73	M30x2	65	147	110
SA35ES	35	25	22	39	82	M36x3	82	182	140
SA40ES	40	28	24	45	92	M39x3	86	198	150
SA45ES	45	32	28	50	102	M42x3	92	217	163
SA50ES	50	35	31	55	112	M45x3	104	246	185

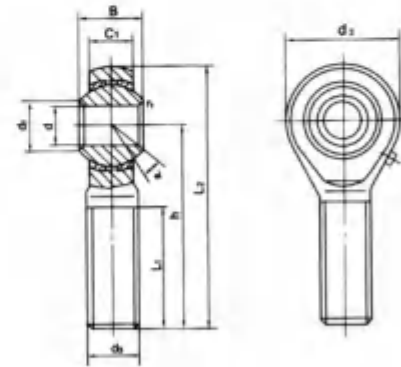
Bearing No.	d	B	C _{1max}	d _{1min}	d _{2min}	d ₃	d ₄	d ₅	h ₁	l _{3min}	l _{4max}	l ₆
SI5E	5	6	4.5	7	21	M5	10	13	30	11	42	5
SI6E	6	6	4.5	8	21	M6	11	13	30	11	42	5
SI8E	8	8	6.5	10	24	M8	13	16	36	15	49	5
SI10E	10	9	7.5	13	29	M10	16	19	43	15	58	6.5
SI12E	12	10	8.5	15	34	M12	18	22	50	18	67	7
SI15ES	15	12	10.5	18	40	M14	21	26	61	21	81	8
SI17ES	17	14	11.5	20	46	M16	24	29	67	24	90	10
SI20ES	20	16	13.5	24	53	M20x1.5	28	34	77	30	104	10
SI25ES	25	20	18	29	64	M24x2	35	42	94	36	126	12
SI30ES	30	22	20	34	73	M30x2	42	50	110	45	147	15
SI35ES	35	25	22	39	82	M36x3	48	58	125	60	167	15
SI40ES	40	28	24	45	92	M39x3	52	65	142	65	190	18
SI45ES	45	32	28	50	102	M42x3	58	70	145	65	199	20
SI50ES	50	35	31	55	112	M45x3	62	75	160	68	221	20

Bearing No.	d	B	r _{1s}	C _{1max}	d _{1min}	d _{2min}	d ₃	h ₁	l _{3min}	l _{4max}	l ₆	d ₄	d ₅	s
SIJK5C	5	8	0.3	7.5	7.7	18	M5	27	8	36	4	9	12	10
SIJK6C	6	9	0.3	7.5	8.9	20	M6	30	9	40	5	10	13	10
SIJK8C	8	12	0.3	9.5	10.3	24	M8	36	12	48	5	12.5	16	13
SIJK10C	10	14	0.6	11.5	12.9	30	M10	43	15	58	6.5	15	19	16
SIJK12C	12	16	0.6	12.5	15.4	34	M12	50	18	67	6.5	17.5	22	18
SIJK14C	14	19	0.6	14.5	16.8	38	M14	57	21	76	8	20	25	21
SIJK16C	16	21	0.6	15.5	19.3	42	M16	64	24	85	8	22	27	24
SIJK18C	18	23	0.6	17.5	21.8	46	M18x1.5	71	27	94	10	25	31	27
SIJK20C	20	25	0.6	18.5	24.3	50	M20x1.5	77	30	102	10	27.5	34	30
SIJK22C	22	28	0.6	21	25.8	56	M22x1.2	84	33	112	12	30	37	34
SIJK25C	25	31	0.6	23	29.5	60	M24x2	94	36	124	12	33.5	42	36
SIJK28C	28	35	0.6	26	32.2	66	M27x2	103	41	136	14	37	46	41
SIJK30C	30	37	0.6	27	34.8	70	M30x2	110	45	145	15	40	50	46

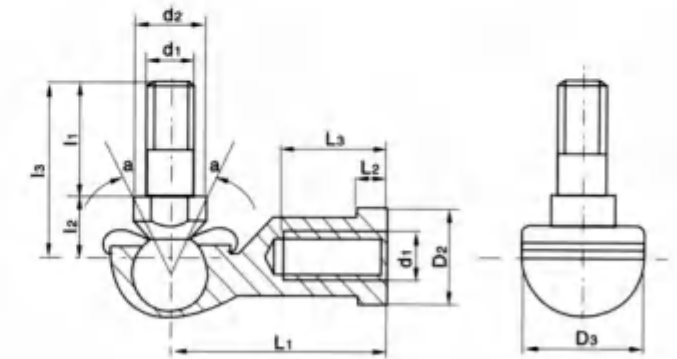
SI5C	5	6	0.3	4.5	7	21	M5	30	11	41.5	5	10	13	10
SI6C	6	6	0.3	4.5	8	21	M6	30	11	41.5	5	11	13	11
SI8C	8	8	0.3	6.5	10	24	M8	36	15	48	5	13	16	13
SI10C	10	9	0.3	7.5	13	29	M10	43	15	57.5	6.5	16	19	16
SI12C	12	10	0.3	8.5	15	34	M12	50	18	67	7	19	22	18
SI15C	15	12	0.3	10.5	18	40	M14	61	21	81	8	21	26	21
SI17C	17	14	0.3	11.5	20	46	M16	67	24	90	10	25	29	27
SI20C	20	16	0.3	13.5	24	53	M20x1.5	77	30	103.5	10	28	34	30
SI25C	25	20	0.6	18	29	64	M24x2	94	36	126	12	35	42	36
SI30C	30	22	0.6	20	34	73	M30x2	110	45	146.5	15	42	50	46



POS



POS

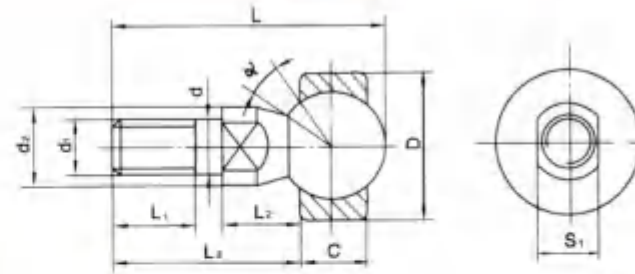


POS SERIES

Bearing No.	d	B	r _{1min}	C _{1max}	d _{1min}	d _{2max}	d ₃	h ₁	l _{1min}	l _{2max}
POS5	5	8	0.3	6	7.7	16	M5	33	20	41
POS6	6	9	0.3	6.75	9	18	M6	36	22	45
POS8	8	12	0.3	9	10.4	22	M8	42	25	53
POS10	10	14	0.6	10.5	12.9	26	M10	48	29	61
POS12	12	16	0.6	12	15.4	30	M12	54	33	69
POS14	14	19	0.6	13.5	16.9	34	M14	60	36	77
POS16	16	21	0.6	15	19.4	38	M16	66	40	85
POS18	18	23	0.6	16.5	21.9	42	M18x1.5	72	44	93
POS20	20	25	0.6	18	24.4	46	M20x1.5	78	47	101
POS22	22	28	0.6	20	25.8	50	M22x1.5	84	51	109
POS25	25	31	0.6	22	29.6	60	M24x2	94	57	124
POS28	28	35	0.6	25	32.2	66	M27x2	103	62	136
POS30	30	37	0.6	25	34.8	70	M30x2	110	66	145

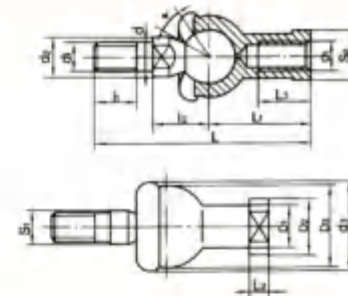
SQ...C

Bearing No.	d ₁	d ₂	D ₃	D ₂	L ₁	L ₂	L ₃	l ₁	l ₂	l ₃
SQ5C	M5x0.8	9	18	18	27	4	14	8	10	21
SQ6C	M6x1	10	20	20	30	5	14	11	11	26
SQ8C	M8x1.25	12	25	25	36	5	17	12	14	31
SQ10C	M10x1.25	14	29	29	43	6.5	21	15	17	37
SQ12C	M12x1.25	19	31	31	50	6.5	25	17	19	42
SQ14C	M14x1.5	19	35	35	57	8	26	22	21.5	56
SQ16C	M16x1.5	22	39	39	64	8	32	23	23.5	60
SQ18C	M18x1.5	25	44	44	71	10	34	25	26.5	68
SQ20C	M20x1.5	29	44	44	77	10	35	25	27	68
SQ22C	M22x1.5	29	50	50	84	12	41	26	28	70



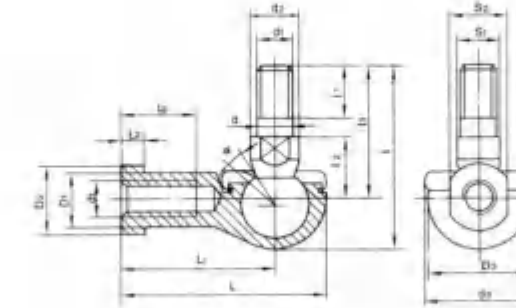
SQD SERIES

Bearing No.	D	d ₁	d ₂	l _{1min}	l ₂	l _{3max}	L	S ₁	C	D	r _{amin}
SQD5	5	M5	9	8	8	19	27.5	7	6	16	0.3
SQD6	6	M6	10	11	8.8	23.8	33.5	8	6.75	18	0.3
SQD8	8	M8	12	12	11.6	28.6	41	10	9	22	0.3
SQD10	10	M10x1.25	14	15	14.2	34.2	49	11	10.5	26	0.5
SQD12	12	M12x1.25	17	17	15.1	38.1	55.1	15	12	30	0.5
SQD14	14	M14x1.5	19	22	16.8	51.3	70.7	17	13.5	34	0.5
SQD16	16	M16x1.5	22	23	18	54.5	76.3	19	15	38	0.5



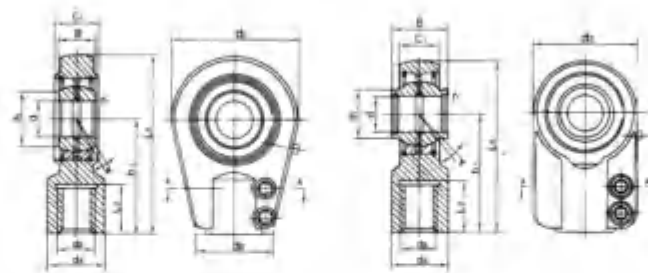
SQZ...RS SERIES

Bearing No.	d	d ₁	d _{2min}	d _{3max}	l _{1min}	l ₂	S ₁	L _{max}	L ₁	L _{2max}	L _{3min}	D _{1max}	D _{2max}	d _{3max}	S ₂
SQZ5-RS	5	M5	9	20	8	11	7	46	24	4	12	9	11	17	9
SQZ6-RS	6	M6	10	20	11	12.2	8	55.2	28	5	15	10	13	20	11
SQZ8-RS	8	M8	12	24	12	16	10	65	32	5	16	12.5	16	24	14
SQZ10-RS	10	M10x1.25	14	30	15	19.5	11	74.5	35	6.5	18	15	19	28	17
SQZ12-RS	12	M12x1.25	17	32	17	21	15	84	40	6.5	20	17.5	22	32	19
SQZ14-RS	14	M14x1.5	19	38	22	23.5	17	103	45	8	25	20	25	36	22
SQZ16-RS	16	M16x1.5	22	44	23	25.5	19	112	50	8	27	22	27	40	22
SQZ18-RS	18	M18x1.5	23	45	25	31	20	130.5	58	10	32	25	31	45	27
SQZ20-RS	20	M20x1.5	27	50	25	29	24	133	63	10	38	27.5	34	45	30
SQZ22-RS	22	M22x1.5	27	52	26	33	24	145	70	12	43	30	37	50	32



SQ...RS SERIES

Bearing No.	d	d ₁	d _{2min}	d _{3max}	l _{1min}	l ₂	l _{3max}	S ₁	L _{max}	L ₁	L _{2max}	L _{3min}	D _{max}	D _{2max}	D _{3max}	S ₂	
SQ5-RS	5	M5	9	19	29	8	10	21	7	35	27	4	14	9	11	16	9
SQ6-RS	6	M6	10	20	35.5	11	11	26	8	40	30	5	14	10	13	19	11
SQ8-RS	8	M8	12	24	42.5	12	14	31	10	48	36	5	17	12.5	16	23	14
SQ10-RS	10	M10x1.25	14	30	50.5	15	17	37	11	57	43	6.5	21	15	19	27	17
SQ12-RS	12	M12x1.5	17	32	57.5	17	19	42	15	66	50	6.5	25	17.5	22	31	19
SQ14-RS	14	M14x1.25	19	38	73.5	22	21.5	56	17	75	57	8	26	20	25	35	22
SQ16-RS	16	M16x1.5	22	44	79.5	23	23.5	60	19	84	64	8	32	22	27	39	22
SQ18-RS	18	M18x1.5	23	45	90	25	26.5	68	20	93	71	10	34	25	31	44	27
SQ20-RS	20	M20x1.5	27	50	90	25	27	68	24	99	77	10	35	27.5	34	44	30
SQ22-RS	22	M22x1.5	27	52	95	26	28	70	24	109	84	12	41	30	37	50	32



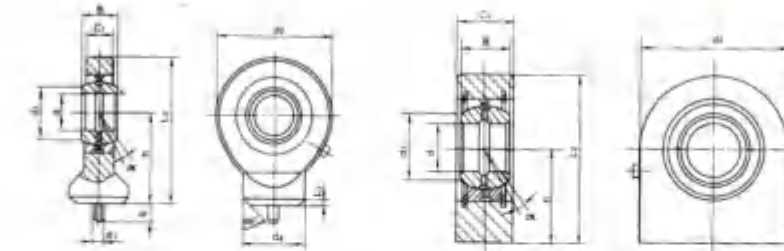
GK...NK

GK...CK

GK...NK, GK...CK SERIES

Bearing No.	d	B	r _{1min}	C _{1max}	d _{1min}	d _{2max}	d ₃	h ₁	l _{3min}	l _{4max}	d _{4max}	d _{6max}	b
GK20NK	20	16	0.3	19	24	56	M16x1.5	50	17	78	25	36	17
GK25NK	25	20	0.6	23	29	56	M16x1.5	50	17	78	25	36	21
GK30NK	30	22	0.6	28	34	64	M22x1.5	60	23	92	32	40	26
GK35NK	35	25	0.6	30	39	78	M28x1.5	70	29	109	40	50	28
GK40NK	40	28	0.6	35	45	94	M35x1.5	85	36	132	49	60	33
GK50NK	50	35	0.6	40	55	116	M45x1.5	105	46	163	61	72	37
GK60NK	60	44	1	50	66	130	M58x1.5	130	59	195	75	90	46
GK70NK	70	49	1	55	77	154	M65x1.5	150	66	227	86	100	51
GK80NK	80	55	1	60	88	176	M80x2	170	81	258	102	125	55
GK100NK	100	70	1	70	109	230	M110x2	235	111	350	138	166	65

Bearing No.	d	B	r _{1min}	C _{1max}	d _{1min}	d _{2max}	d ₃	h ₁	l _{3min}	l _{4max}	d _{4max}	d _{6max}	b
GK12CK	12	12	0.3	10.5	15.5	32	M12x1.25	38	17	54	16	32	12
GK16CK	16	16	0.3	13	20	40	M14x1.5	44	19	64	21	40	12
GK20CK	20	20	0.3	17	25	47	M16x1.5	52	23	75.5	25	47	14
GK25CK	25	25	0.6	21	30.5	58	M20x1.5	65	29	94	30	54	17
GK32CK	32	32	0.6	27	37	70	M27x2	80	37	115	38	66	22
GK40CK	40	40	0.6	32	46	89	M33x2	97	46	141.5	47	80	26
GK50CK	50	50	0.6	40	57	108	M42x2	120	57	174	58	98	32
GK63CK	63	63	1.0	52	71.5	132	M48x2	140	64	206	70	114	38
GK80CK	80	80	1.0	66	91	168	M63x3	180	86	264	90	148	48
GK100CK	100	100	1.0	84	113	210	M80x3	210	96	315	110	178	62

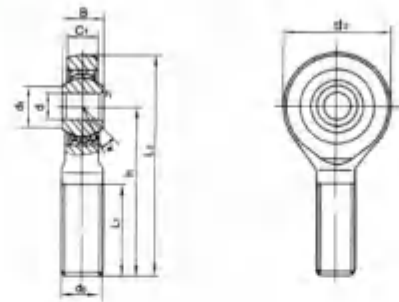


SK...ES

SF...ES

SK...ES, SF...ES SERIES

Bearing No.	d	B	r _{1min}	C _{1min}	d _{1min}	d _{2max}	h	l _{2min}	d _{4max}	d ₇
SK15ES	15	12	0.3	10	18	40	31	51	21	4
SK17ES	17	14	0.3	11	20	46	35	58	24	4
SK20ES	20	16	0.3	13	24	53	38	64.5	27.5	4
SK25ES	25	20	0.6	17	29	64	45	77	33.5	4
SK30ES	30	22	0.6	19	34	73	51	87.5	40	4
SK35ES	35	25	0.6	21	39	82	61	102	47	4
SK40ES	40	28	0.6	23	45	92	69	115	52	4
SK45ES	45	32	0.6	27	50	102	77	128	58	6
SK50ES	50	35	0.6	30	55	112	88	144	62	6
SK60ES	60	44	1	38	66	135	100	167.5	70	6
SK70ES	70	49	1	42	77	160	115	195	80	6
SK80ES	80	55	1	47	88	180	141	231	95	6
SF20ES	20	16	0.3	19	24	50	38	63		
SF25ES	25	20	0.6	23	29	55	45	72.5		
SF30ES	30	22	0.6	28	34	65	51	83.5		
SF35ES	35	25	0.6	30	39	83	61	102.5		
SF40ES	40	28	0.6	35	45	100	69	119		
SF45ES	45	32	0.6	40	50	110	77	132		
SF50ES	50	35	0.6	40	55	123	88	149.5		
SF60ES	60	44	1	50	66	140	100	170		
SF70ES	70	49	1	55	77	164	115	197		
SF80ES	80	55	1	60	88	180	141	231		

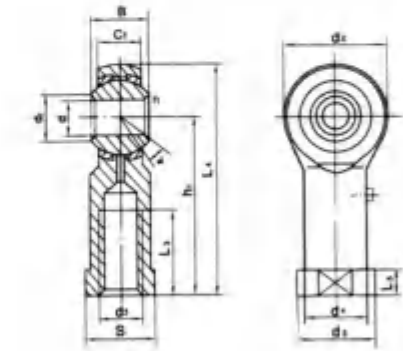


SAJK...C, SA...C SERIES

Bearing No.	d	B	r _{1min}	C _{1max}	d _{1min}	d _{2min}	d ₃	h ₁	l _{1min}	l _{2max}
SAJK5C	5	8	0.3	7.5	7.7	18	M5	33	19	42
SAJK6C	6	9	0.3	7.5	8.9	20	M6	36	21	46
SAJK8C	8	12	0.3	9.5	10.3	24	M8	42	25	54
SAJK10C	10	14	0.6	11.5	12.9	30	M10	48	28	63
SAJK12C	12	16	0.6	12.5	15.4	34	M12	54	32	71
SAJK14C	14	19	0.6	14.5	16.8	38	M14	60	36	79
SAJK16C	16	21	0.6	15.5	19.3	42	M16	66	37	87
SAJK18C	18	23	0.6	17.5	21.8	46	M18x1.5	72	41	95
SAJK20C	20	25	0.6	18.5	24.3	50	M20x1.5	78	45	103
SAJK22C	22	28	0.6	21	25.8	56	M22x1.5	84	48	112
SAJK25C	25	31	0.6	23	29.5	60	M24x2	94	55	124
SAJK28C	28	35	0.6	26	32.2	66	M27x2	103	62	136
SAJK30C	30	37	0.6	27	34.8	70	M30x2	110	66	145
SA5C	5	6	0.3	4.5	7	21	M5	36	16	46.5
SA6C	6	6	0.3	4.5	8	21	M6	36	16	46.5
SA8C	8	8	0.3	6.5	10	24	M8	42	21	54
SA10C	10	9	0.3	7.5	13	29	M10	48	26	62.5
SA12C	12	10	0.3	8.5	15	34	M12	54	28	71
SA15C	15	12	0.3	10.5	18	40	M14	63	34	83
SA17C	17	14	0.3	11.5	20	46	M16	69	36	92
SA20C	20	16	0.3	13.5	24	53	M20x1.5	78	43	104.5
SA25C	25	20	0.6	18	29	64	M24x2	94	53	126
SA30C	30	22	0.6	20	34	73	M30x2	110	65	146.5



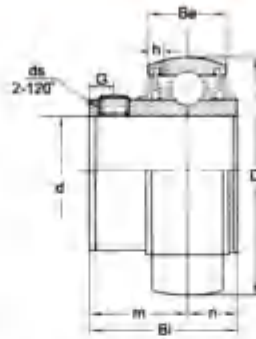
PHS



PHS

PHS SERIES

Bearing No.	d	B	r _{1min}	C _{1max}	d _{1min}	d _{2max}	d ₃	h ₁	l _{3min}	l _{4max}	l _{5max}	d ₄	d ₅	S
PHS5	5	8	0.3	6	7.7	16	M5	27	14	35	4	9	11	9
PHS6	6	9	0.3	6.75	9	18	M6	30	14	39	5	10	13	11
PHS8	8	12	0.3	9	10.4	22	M8	36	17	47	5	12.5	16	14
PHS10	10	14	0.6	10.5	12.9	26	M10	43	21	56	6.5	15	19	17
PHS12	12	16	0.6	12	15.4	30	M12	50	24	65	6.5	17.5	22	19
PHS14	14	19	0.6	13.5	16.9	34	M14	57	27	74	8	20	25	22
PHS16	16	21	0.6	15	19.4	38	M16	64	33	83	8	22	27	22
PHS18	18	23	0.6	16.5	21.9	42	M18x1.5	71	36	92	10	25	31	27
PHS20	20	25	0.6	18	24.4	46	M20x1.5	77	40	100	10	27.5	34	30
PHS22	22	28	0.6	20	25.8	50	M22x1.5	84	43	109	12	30	37	32
PHS25	25	31	0.6	22	29.6	60	M24x2	94	48	124	12	33.5	42	36
PHS28	28	35	0.6	25	32.3	66	M27x2	103	53	136	12	37	46	41
PHS30	30	37	0.6	25	34.8	70	M30x2	110	56	145	15	40	50	41


UC SERIES

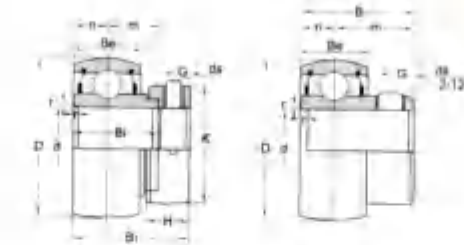
Bearing No.	mm ^d	in	D	Bi	Be	n	m	G	ds
UC203	17		47	31	17	12.7	18.3	5.0	M6x0.75 1/4-28UNF
UC203-11	17.4625	11/16	47	31	17	12.7	18.3	5.0	M6x0.75 1/4-28UNF
UC204-12	19.05	3/4	47	31	17	12.7	18.3	5.0	M6x0.75 1/4-28UNF
UC204	20		47	31	17	12.7	18.3	5.0	M6x0.75 1/4-28UNF
UC205-14	22.225	7/8	52	34	17	14.3	19.8	5.5	M6x0.75 1/4-28UNF
UC205-15	23.8125	15/16	52	34	17	14.3	19.8	5.5	M6x0.75 1/4-28UNF
UC205	25		52	34	17	14.3	19.8	5.5	M6x0.75 1/4-28UNF
UC205-16	25.4	1	52	34	17	14.3	19.8	5.5	M6x0.75 1/4-28UNF
UC206-17	26.9875	1-1/16	62	38.1	19	15.9	22.2	6.0	M6x0.75 1/4-28UNF
UC206-18	28.575	1-1/8	62	38.1	19	15.9	22.2	6.0	M6x0.75 1/4-28UNF
UC206	30		62	38.1	19	15.9	22.2	6.0	M6x0.75 1/4-28UNF
UC206-19	30.1625	1-3/16	62	38.1	19	15.9	22.2	6.0	M6x0.75 1/4-28UNF
UC206-20	31.75	1-1/4	62	38.1	19	15.9	22.2	6.0	M6x0.75 1/4-28UNF
UC207-20	31.75	1-1/4	72	42.9	20	17.5	25.4	7.0	M8x1.0 5/16-24UNF
UC207-21	33.3375	1-5/16	72	42.9	20	17.5	25.4	7.0	M8x1.0 5/16-24UNF
UC207-22	34.925	1-3/8	72	42.9	20	17.5	25.4	7.0	M8x1.0 5/16-24UNF
UC207	35		72	42.9	20	17.5	25.4	7.0	M8x1.0 5/16-24UNF
UC207-23	36.5125	1-7/16	72	42.9	20	17.5	25.4	7.0	M8x1.0 5/16-24UNF
UC208-24	38.1	1-1/2	80	49.2	21	19.0	30.2	8.0	M8x1.0 5/16-24UNF
UC208-25	39.6875	1-9/16	80	49.2	21	19.0	30.2	8.0	M8x1.0 5/16-24UNF
UC208	40		80	49.2	21	19.0	30.2	8.0	M8x1.0 5/16-24UNF
UC209-26	41.275	1-5/8	85	49.2	22	19.0	30.2	8.0	M8x1.0 5/16-24UNF
UC209-27	42.8625	1-11/16	85	49.2	22	19.0	30.2	8.0	M8x1.0 5/16-24UNF
UC209-28	44.45	1-3/4	85	49.2	22	19.0	30.2	8.0	M8x1.0 5/16-24UNF
UC209	45		85	49.2	22	19.0	30.2	8.0	M8x1.0 5/16-24UNF
UC210-30	47.625	1-7/8	90	51.6	24	19.0	32.6	10.0	M10x1.25 3/8-24UNF
UC210-31	49.2125	1-15/16	90	51.6	24	19.0	32.6	10.0	M10x1.25 3/8-24UNF
UC210	50		90	51.6	24	19.0	32.6	10.0	M10x1.25 3/8-24UNF
UC210-32	50.8	2	90	51.6	24	19.0	32.6	10.0	M10x1.25 3/8-24UNF
UC211-32	50.8	2	100	55.6	25	22.2	33.4	10.0	M10x1.25 3/8-24UNF
UC211-34	53.975	2-1/8	100	55.6	25	22.2	33.4	10.0	M10x1.25 3/8-24UNF
UC211	55		100	55.6	25	22.2	33.4	10.0	M10x1.25 3/8-24UNF
UC211-35	55.5625	2-3/16	100	55.6	25	22.2	33.4	10.0	M10x1.25 3/8-24UNF

UC SERIES

Bearing No.	mm ^d	in	D	Bi	Be	n	m	G	ds
UC212-36	57.15	2-1/4	110	65.1	27	25.4	39.7	10.0	M10x1.25 3/8-24UNF
UC212-37	58.7375	2-5/16	110	65.1	27	25.4	39.7	10.0	M10x1.25 3/8-24UNF
UC212	60		110	65.1	27	25.4	39.7	10.0	M10x1.25 3/8-24UNF
UC212-38	60.325	2-3/8	110	65.1	27	25.4	39.7	10.0	M10x1.25 3/8-24UNF
UC212-39	61.9125	2-7/16	110	65.1	27	25.4	39.7	10.0	M10x1.25 3/8-24UNF
UC213-40	63.5	2-1/2	120	65.1	28	25.4	39.7	10.0	M10x1.25 3/8-24UNF
UC213	65		120	65.1	28	25.4	39.7	10.0	M10x1.25 3/8-24UNF
UC213-43	68.2625	2-11/16	120	65.1	28	25.4	39.7	10.0	M10x1.25 3/8-24UNF
UC214-44	69.85	2-3/4	125	74.6	30	30.2	44.4	12.0	M12x1.5 7/16-20UNF
UC214	70		125	74.6	30	30.2	44.4	12.0	M12x1.5 7/16-20UNF
UC215-44	69.85	2-3/4	130	77.8	32	33.3	44.5	12.0	M12x1.5 7/16-20UNF
UC215-47	74.6125	2-15/16	130	77.8	32	33.3	44.5	12.0	M12x1.5 7/16-20UNF
UC215	75		130	77.8	32	33.3	44.5	12.0	M12x1.5 7/16-20UNF
UC215-48	76.2	3	130	77.8	32	33.3	44.5	12.0	M12x1.5 7/16-20UNF
UC216-50	79.375	3-1/8	140	82.6	33	33.3	49.3	12.0	M12x1.5 7/16-20UNF
UC216	80		140	82.6	33	33.3	49.3	12.0	M12x1.5 7/16-20UNF
UC216-52	82.55	3-1/4	140	82.6	33	33.3	49.3	12.0	M12x1.5 7/16-20UNF
UC217-52	82.55	3-1/4	150	85.7	35	34.1	51.6	12.0	M12x1.5 7/16-20UNF
UC217	85		150	85.7	35	34.1	51.6	12.0	M12x1.5 7/16-20UNF
UC218-56	88.9	3-1/2	160	96	38	39.7	56.3	12.0	M12x1.5 7/16-20UNF
UC218	90		160	96	38	39.7	56.3	12.0	M12x1.5 7/16-20UNF
UC305-14	22.225	7/8	62	38	22	15	23	6.0	M6x0.75
UC305-15	23.8125	15/16	62	38	22	15	23	6.0	M6x0.75
UC305	25		62	38	22	15	23	6.0	M6x0.75
UC305-16	25.4	1	62	38	22	15	23	6.0	M6x0.75
UC306-18	28.575	1-1/8	72	43	24	17	26	6.0	M6x0.75
UC306	30		72	43	24	17	26	6.0	M6x0.75
UC306-19	30.1625	1-3/16	72	43	24	17	26	6.0	M6x0.75
UC307-20	31.75	1-1/4	80	48	26	19	29	8.0	M8x0.75
UC307-21	33.3375	1-5/16	80	48	26	19	29	8.0	M8x0.75
UC307-22	34.925	1-3/8	80	48	26	19	29	8.0	M8x0.75
UC307	35		80	48	26	19	29	8.0	M8x0.75
UC307-23	36.5125	1-7/16	80	48	26	19	29	8.0	M8x0.75
UC308-24	38.1	1-1/2	90	52	28	19	33	10.0	M10x1.25
UC308-25	39.6875	1-9/16	90	52	28	19	33	10.0	M10x1.25
UC308	40		90	52	28	19	33	10.0	M10x1.25
UC309-26	41.275	1-5/8	100	57	30	22	35	10.0	M10x1.25
UC309-27	42.8625	1-11/16	100	57	30	22	35	10.0	M10x1.25
UC309-28	44.45	1-3/4	100	57	30	22	35	10.0	M10x1.25
UC309	45		100	57	30	22	35	10.0	M10x1.25

UC SERIES

Bearing No.	mm ^d	in	D	Bi	Be	n	m	G	ds
UC310-30	47.63	1-7/8	110.00	61.00	32.00	22.00	39.00	12.00	M12x1.5
UC310-31	49.21	1-15/16	110.00	61.00	32.00	22.00	39.00	12.00	M12x1.5
UC310	50.00		110.00	61.00	32.00	22.00	39.00	12.00	M12x1.5
UC311-32	50.80	2	120.00	66.00	34.00	25.00	41.00	12.00	M12x1.5
UC311-34	53.98	2-1/8	120.00	66.00	34.00	25.00	41.00	12.00	M12x1.5
UC311	55.00		120.00	66.00	34.00	25.00	41.00	12.00	M12x1.5
UC311-35	55.56	2-3/16	120.00	66.00	34.00	25.00	41.00	12.00	M12x1.5
UC312-36	57.15	2-1/4	130.00	71.00	36.00	26.00	45.00	12.00	M12x1.5
UC312	60.00		130.00	71.00	36.00	26.00	45.00	12.00	M12x1.5
UC312-38	60.33	2-3/8	130.00	71.00	36.00	26.00	45.00	12.00	M12x1.5
UC312-39	61.91	2-7/16	130.00	71.00	36.00	26.00	45.00	12.00	M12x1.5
UC313-40	63.50	2-1/2	140.00	75.00	38.00	30.00	45.00	12.00	M12x1.5
UC313	65.00		140.00	75.00	38.00	30.00	45.00	12.00	M12x1.5
UC314-44	69.85	2-3/4	150.00	78.00	40.00	33.00	45.00	12.00	M12x1.5
UC314	70.00		150.00	78.00	40.00	33.00	45.00	12.00	M12x1.5
UC315	75.00	3	160.00	82.00	42.00	32.00	50.00	14.00	M14x1.5
UC315-48	76.20		160.00	82.00	42.00	32.00	50.00	14.00	M14x1.5
UC316-50	79.38	3-1/8	170.00	86.00	44.00	34.00	52.00	14.00	M14x1.5
UC316	80.00		170.00	86.00	44.00	34.00	52.00	14.00	M14x1.5
UC317-52	82.55	3-1/4	180.00	96.00	46.00	40.00	56.00	16.00	M16x1.5
UC317	85.00		180.00	96.00	46.00	40.00	56.00	16.00	M16x1.5
UC318-56	88.90	3-1/2	190.00	96.00	48.00	40.00	56.00	16.00	M16x1.5
UC318	90.00		190.00	96.00	48.00	40.00	56.00	16.00	M16x1.5



SA

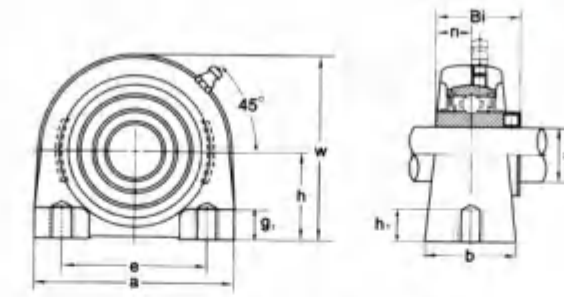
SB

SA,SB SERIES

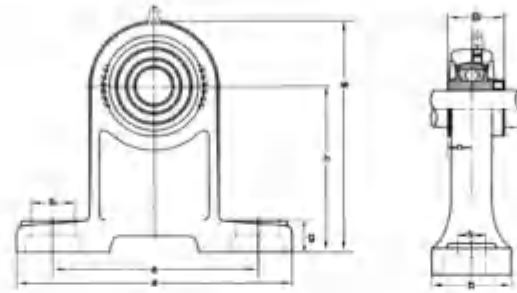
Bearing No.	mm ^d	in	D	Bi	Be	Bi	n	K	H	G	ds
SA203	17	11/16	40	28.6	12	19.1	6	28.6	13.5	5	M6x0.75 1/4-28UNF
SA203-11	17.4625	3/4	40	28.6	12	19.1	6	28.6	13.5	5	M6x0.75 1/4-28UNF
SA204-12	19.05		47	29.5	14	20	7	33.3	13.5	5	M6x0.75 1/4-28UNF
SA204	20	7/8	47	29.5	14	20	7	33.3	13.5	5	M6x0.75 1/4-28UNF
SA205-14	22.225	15/16	52	30.5	15	21	7.5	38.1	13.5	5	M6x0.75 1/4-28UNF
SA205-15	23.8125		52	30.5	15	21	7.5	38.1	13.5	5	M6x0.75 1/4-28UNF
SA205	25	1	52	30.5	15	21	7.5	38.1	13.5	5	M6x0.75 1/4-28UNF
SA205-16	25.4	1-1/16	52	30.5	15	21	7.5	38.1	13.5	5	M6x0.75 1/4-28UNF
SA206-17	26.9875	1-1/8	62	33.9	16	22	8	44.5	15.9	6	M8x1.0 5/16-24UNF
SA206-18	28.575		62	33.9	16	22	8	44.5	15.9	6	M8x1.0 5/16-24UNF
SA206	30	1-3/16	62	33.9	16	22	8	44.5	15.9	6	M8x1.0 5/16-24UNF
SA206-19	30.1625	1-1/4	62	33.9	16	22	8	44.5	15.9	6	M8x1.0 5/16-24UNF
SA206-20	31.75	1-1/4	62	33.9	16	22	8	44.5	15.9	6	M8x1.0 5/16-24UNF
SA207-20	31.75	1-5/16	72	36.5	17	23	8.5	55.6	17.5	7	M8x1.0 5/16-24UNF
SA207-21	33.3375	1-3/8	72	36.5	17	23	8.5	55.6	17.5	7	M8x1.0 5/16-24UNF
SA207-22	34.925		72	36.5	17	23	8.5	55.6	17.5	7	M8x1.0 5/16-24UNF
SA207	35	1-7/16	72	36.5	17	23	8.5	55.6	17.5	7	M8x1.0 5/16-24UNF
SA207-23	36.5152		72	36.5	17	23	8.5	55.6	17.5	7	M8x1.0 5/16-24UNF
SB203	17	11/16	40	22	12		6			5	M6x0.75 1/4-28UNF
SB203-11	17.4625	3/4	40	22	12		6			5	M6x0.75 1/4-28UNF
SB204-12	19.05		47	25	14		7			5	M6x0.75 1/4-28UNF
SB204	20	7/8	47	25	14		7			5	M6x0.75 1/4-28UNF
SB205-14	22.225	15/16	52	27	15		7.5			5	M6x0.75 1/4-28UNF
SB205-15	23.8125		52	27	15		7.5			5	M6x0.75 1/4-28UNF
SB205	25	1	52	27	15		7.5			5	M6x0.75 1/4-28UNF
SB205-16	25.4	1-1/16	52	27	15		7.5			5	M6x0.75 1/4-28UNF
SB206-17	26.9875	1-1/8	62	27	16		8			6	M8x1.0 5/16-24UNF
SB206-18	28.575		62	30	16		8			6	M8x1.0 5/16-24UNF
SB206	30	1-3/16	62	30	16		8			6	M8x1.0 5/16-24UNF
SB206-19	30.1625	1-1/4	62	30	16		8			6	M8x1.0 5/16-24UNF
SB206-20	31.75	1-1/4	62	30	16		8			6	M8x1.0 5/16-24UNF
SB207-20	31.75	1-5/16	72	32	17		8.5			7	M8x1.0 5/16-24UNF
SB207-21	33.3375	1-3/8	72	32	17		8.5			7	M8x1.0 5/16-24UNF
SB207-22	34.925		72	32	17		8.5			7	M8x1.0 5/16-24UNF
SB207	35	1-7/16	72	32	17		8.5			7	M8x1.0 5/16-24UNF
SB207-23	36.5125		72	32	17		8.5			7	M8x1.0 5/16-24UNF

UCP SERIES

Bearing No.	mm ^d	in	h	a	e	b	S _r	Bi	n	g
UCP310-30	47.6250	1-7/8	75	275	212	75	20	61	22	27
UCP310-31	69.2125	1-15/16	75	275	212	75	20	61	22	27
UCP310	50.0000		75	275	212	75	20	61	22	27
UCP311-32	50.8000	2	80	310	236	80	20	66	25	30
UCP311-34	53.9750	2-1/8	80	310	236	80	20	66	25	30
UCP311	55.0000		80	310	236	80	20	66	25	30
UCP311-35	55.5625	2-3/16	80	310	236	80	20	66	25	30
UCP312-36	57.1500	2-1/4	85	330	250	85	25	71	26	32
UCP312	60.0000		85	330	250	85	25	71	26	32
UCP312-38	60.3250	2-3/8	85	330	250	85	25	71	26	32
UCP312-39	61.9125	2-2/16	85	330	250	85	25	71	26	32
UCP313-40	63.5000	2-1/2	90	340	260	90	25	75	30	35
UCP313	65.0000		90	340	260	90	25	75	30	35
UCP314-44	69.8500	2-3/4	95	360	280	90	27	78	33	35
UCP314	70.0000		95	360	280	90	27	78	33	35
UCP315	75.0000		100	380	290	100	27	82	32	35
UCP315-48	76.2000	3	100	380	290	100	27	82	32	35
UCP316-50	79.3750	3-1/8	106	400	300	110	27	86	34	40
UCP316	80.0000		106	400	300	110	27	86	34	40
UCP317-52	82.5500	3-1/4	112	420	320	110	33	96	40	40
UCP317	85.0000		112	420	320	110	33	96	40	40
UCP318-56	88.9000	3-1/2	118	430	330	110	33	96	40	45
UCP318	90.0000		118	430	330	110	33	96	40	45

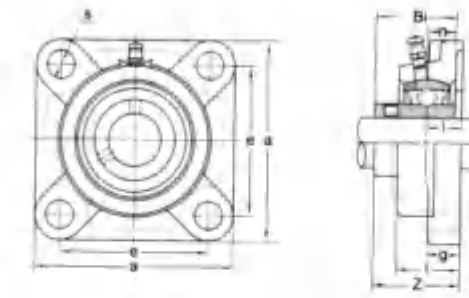

UCPA SERIES

Bearing No.	mm ^d	in	a	w	h	e	b	h ₁	Bi	n
UCPA203	17.0000	11/16	76	62	30.2	52	40	12	31.0	12.7
UCPA203-11	17.4625		76	62	30.2	52	40	12	31.0	12.7
UCPA204-12	19.0500	3/4	76	62	30.2	52	40	12	31.0	12.7
UCPA204	20.0000		76	62	30.2	52	40	12	31.0	12.7
UCPA205-14	22.2250	7/8	84	72	36.5	56	45	15	34.0	14.3
UCPA205-15	23.8125	15/16	84	72	36.5	56	45	15	34.0	14.3
UCPA205	25.0000		84	72	36.5	56	45	15	34.0	14.3
UCPA205-16	25.4000	1	84	72	36.5	56	45	15	34.0	14.3
UCPA206-17	26.9875	1-1/16	94	84	42.9	66	50	18	38.1	15.9
UCPA206-18	28.5750	1-1/8	94	84	42.9	66	50	18	38.1	15.9
UCPA206	30.0000	1-3/16	94	84	42.9	66	50	18	38.1	15.9
UCPA206-19	30.1625	1-3/16	94	84	42.9	66	50	18	38.1	15.9
UCPA206-20	31.7500	1-1/4	94	84	42.9	66	50	18	38.1	15.9
UCPA207-20	31.7500	1-1/4	110	95	47.6	80	55	20	42.9	17.5
UCPA207-21	33.3375	1-5/16	110	95	47.6	80	55	20	42.9	17.5
UCPA207-22	34.9250	1-3/8	110	95	47.6	80	55	20	42.9	17.5
UCPA207	35.0000		110	95	47.6	80	55	20	42.9	17.5
UCPA208-24	38.1000	1-1/2	116	100	49.2	84	58	20	49.2	19.0
UCPA208-25	39.6875	1-9/16	116	100	49.2	84	58	20	49.2	19.0
UCPA208	40.0000		116	100	49.2	84	58	20	49.2	19.0
UCPA209-26	41.2750	1-5/8	120	108	54.2	90	60	25	49.2	19.0
UCPA209-27	42.8625	1-11/16	120	108	54.2	90	60	25	49.2	19.0
UCPA209-28	44.4500	1-3/4	120	108	54.2	90	60	25	49.2	19.0
UCPA209	45.0000		120	108	54.2	90	60	25	49.2	19.0
UCPA210-30	47.6250	1-7/8	130	116	57.2	94	64	25	51.6	19.0
UCPA210-31	49.2125	1-15/16	130	116	57.2	94	64	25	51.6	19.0
UCPA210	50.0000		130	116	57.2	94	64	25	51.6	19.0
UCPA210-32	50.8000	2	130	116	57.2	94	64	25	51.6	19.0
UCPA211-32	50.8000	2	140	125	63.5	104	66	25	55.6	22.2
UCPA211-34	53.9750	2-1/8	140	125	63.5	104	66	25	55.6	22.2
UCPA211	55.0000		140	125	63.5	104	66	25	55.6	22.2
UCPA211-35	55.5625	2-3/16	140	125	63.5	104	66	25	55.6	22.2
UCPA212-36	57.1500	2-1/4	150	138	69.9	114	68	25	65.1	25.4
UCPA212-37	58.7375	2-5/16	150	138	69.9	114	68	25	65.1	25.4
UCPA212	60.0000		150	138	69.9	114	68	25	65.1	25.4
UCPA212-38	60.3250	2-3/8	150	138	69.9	114	68	25	65.1	25.4
UCPA212-39	61.9125	2-7/16	150	138	69.9	114	68	25	65.1	25.4
UCPA213-40	63.5000	2-1/2	160	150	76.2	124	70	25	65.1	25.4
UCPA213	65.0000		160	150	76.2	124	70	25	65.1	25.4
UCPA213-43	68.2625	2-11/16	160	150	76.2	124	70	25	65.1	25.4



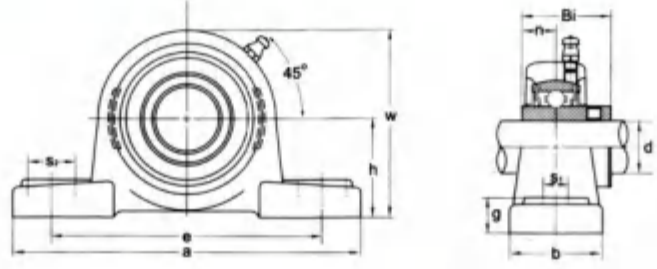
UCPH SERIES

Bearing No.	mm ^d	in	a	w	h	e	b	s	g	Bi	n
UCPH203	17.0000		127	100	70	95	40	13	15	31.0	12.7
UCPH203-11	17.4625	11/16	127	100	70	95	40	13	15	31.0	12.7
UCPH204-12	19.0500	3/4	127	100	70	95	40	13	15	31.0	12.7
UCPH204	20.0000		127	100	70	95	40	13	15	31.0	12.7
UCPH205-14	22.2250	7/8	140	114	80	105	50	13	16	34.0	14.3
UCPH205-15	23.8125	15/16	140	114	80	105	50	13	16	34.0	14.3
UCPH205	25.0000		140	114	80	105	50	13	16	34.0	14.3
UCPH205-16	25.4000	1	140	114	80	105	50	13	16	34.0	14.3
UCPH206-17	26.9875	1-1/16	165	130	90	121	50	17	18	38.1	15.9
UCPH206-18	28.5750	1-1/8	165	130	90	121	50	17	18	38.1	15.9
UCPH206	30.0000	1-3/16	165	130	90	121	50	17	18	38.1	15.9
UCPH206-19	30.1625	1-3/16	165	130	90	121	50	17	18	38.1	15.9
UCPH206-20	31.7500	1-1/4	165	130	90	121	50	17	18	38.1	15.9
UCPH207-20	31.7500	1-1/4	167	140	95	127	60	17	18	42.9	17.5
UCPH207-21	33.3375	1-5/16	167	140	95	127	60	17	18	42.9	17.5
UCPH207-22	34.9250	1-3/8	167	140	95	127	60	17	18	42.9	17.5
UCPH207	35.0000		167	140	95	127	60	17	18	42.9	17.5
UCPH207-23	36.5125	1-7/16	167	140	95	127	60	17	18	42.9	17.5
UCPH208-24	38.1000	1-1/2	184	150	100	137	70	17	20	49.2	19.0
UCPH208-25	39.6875	1-9/16	184	150	100	137	70	17	20	49.2	19.0
UCPH208	40.0000		184	150	100	137	70	17	20	49.2	19.0
UCPH209-26	41.2750	1-5/8	190	158	105	148	70	17	20	49.2	19.0
UCPH209-27	42.8625	1-11/16	190	158	105	148	70	17	20	49.2	19.0
UCPH209-28	44.4500	1-3/4	190	158	105	148	70	17	20	49.2	19.0
UCPH209	45.0000		190	158	105	148	70	17	20	49.2	19.0
UCPH210-30	47.6250	1-7/8	206	165	110	159	70	20	20	51.6	19.0
UCPH210-31	49.2125	1-15/16	206	165	110	159	70	20	20	51.6	19.0
UCPH210	50.0000		206	165	110	159	70	20	20	51.6	19.0
UCPH210-32	50.8000	2	206	165	110	159	70	20	20	51.6	19.0



UCF SERIES

Bearing No.	mm ^d	in	a	e	i	l	z	s	Bi	n	g
UCF203	17.0000		86	64	15	25.5	33.3	12	31	12.7	12
UCF203-11	17.4625	11/16	86	64	15	25.5	33.3	12	31	12.7	12
UCF204-12	19.0500	3/4	86	64	15	25.5	33.3	12	31	12.7	12
UCF204	20.0000		86	64	15	25.5	33.3	12	31	12.7	12
UCF205-14	22.2250	7/8	95	70	16	27.0	35.7	12	34	14.3	14
UCF205-15	23.8125	15/16	95	70	16	27.0	35.7	12	34	14.3	14
UCF205	25.0000		95	70	16	27.0	35.7	12	34	14.3	14
UCF205-16	25.4000	1	95	70	16	27.0	35.7	12	34	14.3	14
UCF206-17	26.9875	1-1/16	108	83	18	31.0	40.2	12	38.1	15.9	14
UCF206-18	28.5750	1-1/8	108	83	18	31.0	40.2	12	38.1	15.9	14
UCF206	30.0000		108	83	18	31.0	40.2	12	38.1	15.9	14
UCF206-19	30.1625	1-3/16	108	83	18	31.0	40.2	12	38.1	15.9	14
UCF206-20	31.7500	1-1/4	108	83	18	31.0	40.2	12	38.1	15.9	14
UCF207-20	31.7500	1-1/4	117	92	19	34.0	44.4	14	42.9	17.5	16
UCF207-21	33.3375	1-5/16	117	92	19	34.0	44.4	14	42.9	17.5	16
UCF207-22	34.9250	1-3/8	117	92	19	34.0	44.4	14	42.9	17.5	16
UCF207	35.0000		117	92	19	34.0	44.4	14	42.9	17.5	16
UCF207-23	36.5125	1-7/16	117	92	19	34.0	44.4	14	42.9	17.5	16
UCF208-24	38.1000	1-1/2	130	102	21	36.0	51.2	16	49.2	19.0	16
UCF208-25	39.6875	1-9/16	130	102	21	36.0	51.2	16	49.2	19.0	16
UCF208	40.0000		130	102	21	36.0	51.2	16	49.2	19.0	16
UCF209-26	41.2750	1-5/8	137	105	22	38.0	52.2	16	49.2	19.0	18
UCF209-27	42.8625	1-11/16	137	105	22	38.0	52.2	16	49.2	19.0	18
UCF209-28	44.4500	1-3/4	137	105	22	38.0	52.2	16	49.2	19.0	18
UCF209	45.0000		137	105	22	38.0	52.2	16	49.2	19.0	18
UCF210-30	47.6250	1-7/8	143	111	22	40.0	54.6	16	51.6	19.0	18
UCF210-31	49.2125	1-15/16	143	111	22	40.0	54.6	16	51.6	19.0	18
UCF210	50.0000		143	111	22	40.0	54.6	16	51.6	19.0	18
UCF210-32	50.8000	2	143	111	22	40.0	54.6	16	51.6	19.0	18
UCF211-32	50.8000	2	162	130	25	43.0	58.4	19	55.6	22.2	20
UCF211-34	53.9750	2-1/8	162	130	25	43.0	58.4	19	55.6	22.2	20
UCF211	55.0000		162	130	25	43.0	58.4	19	55.6	22.2	20
UCF211-35	55.5625	2-3/16	162	130	25	43.0	58.4	19	55.6	22.2	20

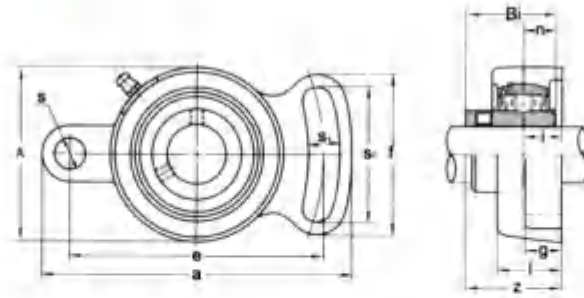


UCP SERIES

Bearing No.	mm ^d	in	h	a	e	b	S ₁	Bi	n	g
UCP203	17.0000		30.2	127	96	38	13	31.0	12.7	15
UCP203-11	17.4625	11/16	30.2	127	96	38	13	31.0	12.7	15
UCP204-12	19.0500	3/4	33.3	127	96	38	13	31.0	12.7	15
UCP204	20.0000		33.3	127	96	38	13	31.0	12.7	15
UCP205-14	22.2250	7/8	36.5	140	105	38	13	34.0	14.3	16
UCP205-15	23.8125	15/16	36.5	140	105	38	13	34.0	14.3	16
UCP205	25.0000		36.5	140	105	38	13	34.0	14.3	16
UCP205-16	25.4000	1	36.5	140	105	38	13	34.0	14.3	16
UCP206-17	26.9875	1-1/16	42.9	160	121	48	17	38.1	15.9	18
UCP206-18	28.5750	1-1/8	42.9	160	121	48	17	38.1	15.9	18
UCP206	30.0000		42.9	160	121	48	17	38.1	15.9	18
UCP206-19	30.1625	1-3/16	42.9	160	121	48	17	38.1	15.9	18
UCP206-20	31.7500	1-1/4	42.9	160	121	48	17	38.1	15.9	18
UCP207-20	31.7500	1-1/4	47.6	167	126	48	17	42.9	17.5	19
UCP207-21	33.3375	1-5/16	47.6	167	126	48	17	42.9	17.5	19
UCP207-22	34.9250	1-3/8	47.6	167	126	48	17	42.9	17.5	19
UCP207	35.0000		47.6	167	126	48	17	42.9	17.5	19
UCP207-23	36.5125	1-7/16	47.6	167	126	48	17	42.9	17.5	19
UCP208-24	38.1000	1-1/2	49.2	180	136	54	17	49.2	19.0	19
UCP208-25	39.6875	1-9/16	49.2	180	136	54	17	49.2	19.0	19
UCP208	40.0000		49.2	180	136	54	17	49.2	19.0	19
UCP209-26	41.2750	1-5/8	54	190	146	54	17	49.2	19.0	20
UCP209-27	42.8625	1-11/16	54	190	146	54	17	49.2	19.0	20
UCP209-28	44.4500	1-3/4	54	190	146	54	17	49.2	19.0	20
UCP209	45.0000		54	190	146	54	17	49.2	19.0	20
UCP210-30	47.6250	1-7/8	57.2	206	159	60	20	51.6	19.0	22
UCP210-31	49.2125	1-15/16	57.2	206	159	60	20	51.6	19.0	22
UCP210	50.0000		57.2	206	159	60	20	51.6	19.0	22
UCP210-32	50.8000	2	57.2	206	159	60	20	51.6	19.0	22
UCP211-32	50.8000	2	63.5	219	172	60	20	55.6	22.2	22
UCP211-34	53.9750	2-1/8	63.5	219	172	60	20	55.6	22.2	22
UCP211	55.0000		63.5	219	172	60	20	55.6	22.2	22
UCP211-35	55.5625	2-3/16	63.5	219	172	60	20	55.6	22.2	22

UCP SERIES

Bearing No.	mm ^d	in	h	a	e	b	S ₁	Bi	n	g
UCP212-36	57.1500	2-1/4	69.9	241	186	70	20	65.1	25.4	25
UCP212-37	58.7375	2-5/16	69.9	241	186	70	20	65.1	25.4	25
UCP212	60.0000		69.9	241	186	70	20	65.1	25.4	25
UCP212-38	60.3250	2-3/8	69.9	241	186	70	20	65.1	25.4	25
UCP212-39	61.9125	2-2/16	69.9	241	186	70	20	65.1	25.4	25
UCP213-40	63.5000	2-1/2	76.2	265	203	70	25	65.1	25.4	27
UCP213	65.0000		76.2	265	203	70	25	65.1	25.4	27
UCP213-43	68.2625	2-11/16	76.2	265	203	70	25	65.1	25.4	27
UCP214-44	69.8500	2-3/4	79.4	266	210	72	25	74.6	30.2	27
UCP214	70.0000		79.4	266	210	72	25	74.6	30.2	27
UCP215-44	69.8500	2-3/4	82.6	275	217	74	25	77.8	33.3	28
UCP215-47	74.6125	2-15/16	82.6	275	217	74	25	77.8	33.3	28
UCP215	75.0000		82.6	275	217	74	25	77.8	33.3	28
UCP215-48	76.2000	3	82.6	275	217	74	25	77.8	33.3	28
UCP216-50	79.3750	3-1/8	88.9	292	232	78	25	82.6	33.3	30
UCP216	80.0000		88.9	292	232	78	25	82.6	33.3	30
UCP216-52	82.5500	3-1/4	88.9	292	232	78	25	82.6	33.3	30
UCP217-52	82.5500	3-1/4	95.2	310	247	83	25	85.7	34.1	32
UCP217	85.0000		95.2	310	247	83	25	85.7	34.1	32
UCP218-56	88.9000	3-1/2	101.6	327	262	88	27	96.0	39.7	34
UCP218	90.0000		101.6	327	262	88	27	96.0	39.7	34
UCP305-14	22.2250	7/8	45	175	132	45	17	38.0	15.0	16
UCP305-15	23.8125	15/16	45	175	132	45	17	38.0	15.0	16
UCP305	25.0000		45	175	132	45	17	38.0	15.0	16
UCP305-16	25.4000	1	45	175	132	45	17	38.0	15.0	16
UCP306-18	28.5750	1-1/8	50	180	140	50	17	43.0	17.0	18
UCP306	30.0000		50	180	140	50	17	43.0	17.0	18
UCP306-19	30.1625	1-3/16	50	180	140	50	17	43.0	17.0	18
UCP307-20	31.7500	1-1/4	56	210	160	56	17	48.0	19.0	20
UCP307-21	33.3375	1-5/16	56	210	160	56	17	48.0	19.0	20
UCP307-22	34.9250	1-3/8	56	210	160	56	17	48.0	19.0	20
UCP307	35.0000		56	210	160	56	17	48.0	19.0	20
UCP307-23	36.5125	1-7/16	56	210	160	56	17	48.0	19.0	20
UCP308-24	38.1000	1-1/2	60	220	170	60	17	52.0	19.0	22
UCP308-25	39.6875	1-9/16	60	220	170	60	17	52.0	19.0	22
UCP308	40.0000		60	220	170	60	17	52.0	19.0	22
UCP309-24	41.2750	1-5/8	67	245	190	67	20	57.0	22.0	24
UCP309-27	42.8625	1-11/16	67	245	190	67	20	57.0	22.0	24
UCP309-28	44.4500	1-3/4	67	245	190	67	20	57.0	22.0	24
UCP309	45.0000		67	245	190	67	20	57.0	22.0	24

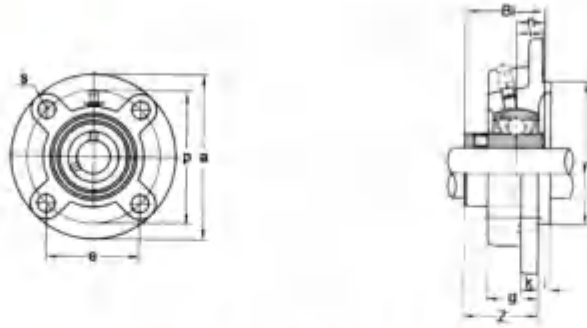


UCFA SERIES

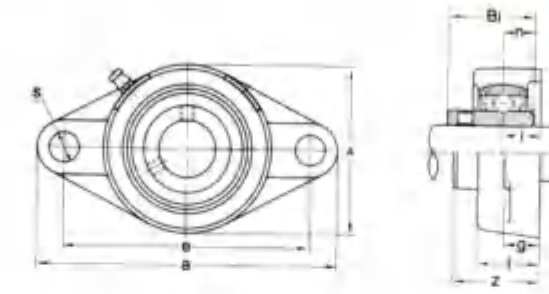
Bearing No.	mm ^d	in	a	A	e	s	s ₁	i	l	z	B ₁	n	g
UCFA203	17		112	60	80	10	10	15	25.5	33.3	31	12.7	11
UCFA203-11	17.4625	11/16	112	60	80	10	10	15	25.5	33.3	31	12.7	11
UCFA204-12	19.05	3/4	112	60	80	10	10	15	25.5	33.3	31	12.7	11
UCFA204	20		112	60	80	10	10	15	25.5	33.3	31	12.7	11
UCFA205-14	22.225	7/8	125	68	98	12	13	16	27	35.7	34	14.3	13
UCFA205-15	23.8125	15/16	125	68	98	12	13	16	27	35.7	34	14.3	13
UCFA205	25		125	68	98	12	13	16	27	35.7	34	14.3	13
UCFA205-16	25.4	1	125	68	98	12	13	16	27	35.7	34	14.3	13
UCFA206-17	26.9875	1-1/16	144	80	117	12	13	18	31	40.2	38.1	15.9	13
UCFA206-18	28.575	1-1/8	144	80	117	12	13	18	31	40.2	38.1	15.9	13
UCFA206	30		144	80	117	12	13	18	31	40.2	38.1	15.9	13
UCFA206-19	30.1625	1-3/16	144	80	117	12	13	18	31	40.2	38.1	15.9	13
UCFA206-20	31.75	1-1/4	144	80	117	12	13	18	31	40.2	38.1	15.9	13
UCFA207-20	31.75	1-1/4	161	90	130	14	15	19	34	44.4	42.9	17.5	14
UCFA207-21	33.3375	1-5/16	161	90	130	14	15	19	34	44.4	42.9	17.5	14
UCFA207-22	34.925	1-3/8	161	90	130	14	15	19	34	44.4	42.9	17.5	14
UCFA207	35		161	90	130	14	15	19	34	44.4	42.9	17.5	14
UCFA207-23	36.5125	1-7/16	161	90	130	14	15	19	34	44.4	42.9	17.5	14
UCFA208-24	38.1	1-1/2	175	100	144	14	15	21	36	51.2	49.2	19	14
UCFA208-25	39.6875	1-9/16	175	100	144	14	15	21	36	51.2	49.2	19	14
UCFA208	40		175	100	144	14	15	21	36	51.2	49.2	19	14
UCFA209-26	41.275	1-5/8	181	108	148	16	17	22	38	52.2	49.2	19	14
UCFA209-27	42.8625	1-11/16	181	108	148	16	17	22	38	52.2	49.2	19	14
UCFA209-28	44.45	1-3/4	181	108	148	16	17	22	38	52.2	49.2	19	14
UCFA209	45		181	108	148	16	17	22	38	52.2	49.2	19	14
UCFA210-30	47.625	1-7/8	190	115	157	16	17	22	40	54.6	51.6	19	14
UCFA210-31	49.2125	1-15/16	190	115	157	16	17	22	40	54.6	51.6	19	14
UCFA210	50		190	115	157	16	17	22	40	54.6	51.6	19	14
UCFA210-32	50.8	2	190	115	157	16	17	22	40	54.6	51.6	19	14
UCFA211-32	50.8	2	219	136	184	16	17	25	43	58.4	55.6	22.2	16
UCFA211-34	53.975	2-1/8	219	136	184	16	17	25	43	58.4	55.6	22.2	16
UCFA211	55		219	136	184	16	17	25	43	58.4	55.6	22.2	16
UCFA211-35	56.625	2-3/16	219	136	184	16	17	25	43	58.4	55.6	22.2	16

UCFC SERIES

Bearing No.	mm ^d	in	a	p	z	s	i	B ₁	n	g	f
UCFC203	17		100	78	28.3	12	10	31.0	12.7	20.5	62
UCFC203-11	17.4625	11/16	100	78	28.3	12	10	31.0	12.7	20.5	62
UCFC204-12	19.05	3/4	100	78	28.3	12	10	31.0	12.7	20.5	62
UCFC204	20		100	78	28.3	12	10	31.0	12.7	20.5	62
UCFC205-14	22.225	7/8	115	90	29.7	12	10	34.0	14.3	21.0	70
UCFC205-15	23.8125	15/16	115	90	29.7	12	10	34.0	14.3	21.0	70
UCFC205	25		115	90	29.7	12	10	34.0	14.3	21.0	70
UCFC205-16	25.4	1	115	90	29.7	12	10	34.0	14.3	21.0	70
UCFC206-17	26.9875	1-1/16	125	100	32.2	12	10	38.1	15.9	23.0	80
UCFC206-18	28.575	1-1/8	125	100	32.2	12	10	38.1	15.9	23.0	80
UCFC206	30		125	100	32.2	12	10	38.1	15.9	23.0	80
UCFC206-19	30.1625	1-3/16	125	100	32.2	12	10	38.1	15.9	23.0	80
UCFC206-20	31.75	1-1/4	125	100	32.2	12	10	38.1	15.9	23.0	80
UCFC207-20	31.75	1-1/4	135	110	36.4	14	11	42.9	17.5	26.0	90
UCFC207-21	33.3375	1-5/16	135	110	36.4	14	11	42.9	17.5	26.0	90
UCFC207-22	34.925	1-3/8	135	110	36.4	14	11	42.9	17.5	26.0	90
UCFC207	35		135	110	36.4	14	11	42.9	17.5	26.0	90
UCFC207-23	36.5125	1-7/16	135	110	36.4	14	11	42.9	17.5	26.0	90
UCFC208-24	38.1	1-1/2	145	120	41.2	14	11	49.2	19.0	26.0	100
UCFC208-25	39.6875	1-9/16	145	120	41.2	14	11	49.2	19.0	26.0	100
UCFC208	40		145	120	41.2	14	11	49.2	19.0	26.0	100
UCFC209-26	41.275	1-5/8	160	132	40.2	16	10	49.2	19.0	26.0	105
UCFC209-27	42.8625	1-11/16	160	132	40.2	16	10	49.2	19.0	26.0	105
UCFC209-28	44.45	1-3/4	160	132	40.2	16	10	49.2	19.0	26.0	105
UCFC209	45		160	132	40.2	16	10	49.2	19.0	26.0	105
UCFC210-30	47.625	1-7/8	165	138	42.6	16	10	51.6	19.0	28.0	110
UCFC210-31	49.2125	1-15/16	165	138	42.6	16	10	51.6	19.0	28.0	110
UCFC210	50		165	138	42.6	16	10	51.6	19.0	28.0	110
UCFC210-32	50.8	2	165	138	42.6	16	10	51.6	19.0	28.0	110
UCFC211-32	50.8	2	185	150	46.4	19	13	55.6	22.2	31.0	125
UCFC211-34	53.975	2-1/8	185	150	46.4	19	13	55.6	22.2	31.0	125
UCFC211	55		185	150	46.4	19	13	55.6	22.2	31.0	125
UCFC211-35	56.625	2-3/16	185	150	46.4	19	13	55.6	22.2	31.0	125


UCFC SERIES

Bearing No.	mm ^d	in	a	p	z	s	i	B ₁	n	g	f
UCFC212-36	57.1500	2-1/4	195	160	56.7	19	17	65.1	25.4	36	135
UCFC212-37	58.7375	2-5/16	195	160	56.7	19	17	65.1	25.4	36	135
UCFC212	60.0000		195	160	56.7	19	17	65.1	25.4	36	135
UCFC212-38	60.3250	2-3/8	195	160	56.7	19	17	65.1	25.4	36	135
UCFC212-39	61.9125	2-7/16	195	160	56.7	19	17	65.1	25.4	36	135
UCFC213-40	63.5000	2-1/2	205	170	56.7	19	16	65.1	25.4	36	145
UCFC213	65.0000		205	170	56.7	19	16	65.1	25.4	36	145
UCFC213-43	68.2625	2-11/16	205	170	56.7	19	16	65.1	25.4	36	145
UCFC214-44	69.8500	2-3/4	215	177	61.4	19	17	74.6	30.2	40	150
UCFC214	70.0000		215	177	61.4	19	17	74.6	30.2	40	150
UCFC215-44	69.8500	2-3/4	220	184	62.5	19	18	77.8	33.3	40	160
UCFC215-47	74.6125	2-15/16	220	184	62.5	19	18	77.8	33.3	40	160
UCFC215	75.0000		220	184	62.5	19	18	77.8	33.3	40	160
UCFC215-48	76.2000	3	220	184	62.5	19	18	77.8	33.3	40	160
UCFC216-50	79.3750	3-1/8	240	200	67.3	23	18	82.6	33.3	42	170
UCFC216	80.0000		240	200	67.3	23	18	82.6	33.3	42	170
UCFC216-52	82.5500	3-1/4	240	200	67.3	23	18	82.6	33.3	42	170
UCFC217-52	82.5500	3-1/4	250	208	69.6	23	18	85.7	34.1	45	180
UCFC217	85.0000		250	208	69.6	23	18	85.7	34.1	45	180
UCFC218-56	88.9000	3-1/2	265	220	78.3	23	22	96.0	39.7	50	190
UCFC218	90.0000		265	220	78.3	23	22	96.0	39.7	50	190


UCFL SERIES

Bearing No.	mm ^d	in	a	e	i	l	z	A	s	B ₁	n	g
UCFL203	17		113	90	15	25.5	33.3	60	12	31.0	12.7	12
UCFL203-11	17.4625	11/16	113	90	15	25.5	33.3	60	12	31.0	12.7	12
UCFL204-12	19.05	3/4	113	90	15	25.5	33.3	60	12	31.0	12.7	12
UCFL204	20		113	90	15	25.5	33.3	60	12	31.0	12.7	12
UCFL205-14	22.225	7/8	130	99	16	27	35.7	68	16	34.0	14.3	14
UCFL205-15	23.8125	15/16	130	99	16	27	35.7	68	16	34.0	14.3	14
UCFL205	25		130	99	16	27	35.7	68	16	34.0	14.3	14
UCFL205-16	25.4	1	130	99	16	27	35.7	68	16	34.0	14.3	14
UCFL206-17	26.9875	1-1/16	148	117	18	31	40.2	80	16	38.1	15.9	14
UCFL206-18	28.575	1-1/8	148	117	18	31	40.2	80	16	38.1	15.9	14
UCFL206	30		148	117	18	31	40.2	80	16	38.1	15.9	14
UCFL206-19	30.1625	1-3/16	148	117	18	31	40.2	80	16	38.1	15.9	14
UCFL206-20	31.75	1-1/4	148	117	18	31	40.2	80	16	38.1	15.9	14
UCFL207-20	31.75	1-1/4	161	130	19	34	44.4	90	16	42.9	17.5	16
UCFL207-21	33.3375	1-5/16	161	130	19	34	44.4	90	16	42.9	17.5	16
UCFL207-22	34.925	1-3/8	161	130	19	34	44.4	90	16	42.9	17.5	16
UCFL207	35		161	130	19	34	44.4	90	16	42.9	17.5	16
UCFL207-23	36.5125	1-7/16	161	130	19	34	44.4	90	16	42.9	17.5	16
UCFL208-24	38.1	1-1/2	175	144	21	36	51.2	100	16	49.2	19.0	16
UCFL208-25	39.6875	1-9/16	175	144	21	36	51.2	100	16	49.2	19.0	16
UCFL208	40		175	144	21	36	51.2	100	16	49.2	19.0	16
UCFL209-26	41.275	1-5/8	188	148	22	38	52.2	108	19	49.2	19.0	18
UCFL209-27	42.8625	1-11/16	188	148	22	38	52.2	108	19	49.2	19.0	18
UCFL209-28	44.45	1-3/4	188	148	22	38	52.2	108	19	49.2	19.0	18
UCFL209	45		188	148	22	38	52.2	108	19	49.2	19.0	18
UCFL210-30	47.625	1-7/8	197	157	22	40	54.6	115	19	51.6	19.0	18
UCFL210-31	49.2125	1-15/16	197	157	22	40	54.6	115	19	51.6	19.0	18
UCFL210	50		197	157	22	40	54.6	115	19	51.6	19.0	18
UCFL210-32	50.8	2	197	157	22	40	54.6	115	19	51.6	19.0	18
UCFL211-32	50.8	2	224	184	25	43	58.4	130	19	55.6	22.2	20
UCFL211-34	53.975	2-1/8	224	184	25	43	58.4	130	19	55.6	22.2	20
UCFL211	55		224	184	25	43	58.4	130	19	55.6	22.2	20
UCFL211-35	55.5625	2-3/16	224	184	25	43	58.4	130	19	55.6	22.2	20

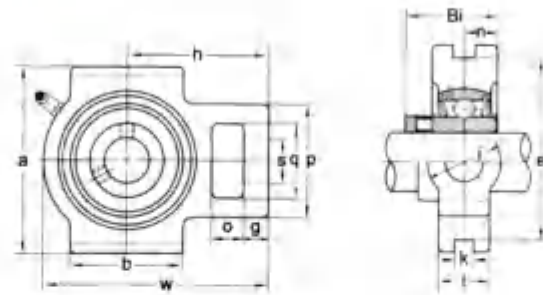


UCFL SERIES

Bearing No.	mm ^d	in	a	e	i	l	z	A	s	B ₁	n	g
UCFL212-36	57.15	2-1/4	250	202	29	48	68.7	140	23	65.1	25.4	20
UCFL212-37	58.7375	2-5/16	250	202	29	48	68.7	140	23	65.1	25.4	20
UCFL212	60		250	202	29	48	68.7	140	23	65.1	25.4	20
UCFL212-38	60.325	2-3/8	250	202	29	48	68.7	140	23	65.1	25.4	20
UCFL212-39	61.9125	2-7/16	250	202	29	48	68.7	140	23	65.1	25.4	20
UCFL213-40	63.5	2-1/2	258	210	30	50	69.7	155	23	65.1	25.4	24
UCFL213	65		258	210	30	50	69.7	155	23	65.1	25.4	24
UCFL213-43	68.2625	2-11/16	258	210	30	50	69.7	155	23	65.1	25.4	24
UCFL214-44	69.85	2-3/4	265	216	31	54	75.4	160	23	74.6	30.2	24
UCFL214	70		265	216	31	54	75.4	160	23	74.6	30.2	24
UCFL215-44	69.85	2-3/4	275	225	34	56	78.5	165	23	77.8	33.3	24
UCFL215-47	74.6125	2-15/16	275	225	34	56	78.5	165	23	77.8	33.3	24
UCFL215	75		275	225	34	56	78.5	165	23	77.8	33.3	24
UCFL215-48	76.2	3	275	225	34	56	78.5	165	23	77.8	33.3	24
UCFL216-50	79.375	3-1/8	290	233	34	58	83.3	180	25	82.6	33.3	24
UCFL216	80		290	233	34	58	83.3	180	25	82.6	33.3	24
UCFL216-52	82.55	3-1/4	290	233	34	58	83.3	180	25	82.6	33.3	24
UCFL217-52	82.55	3-1/4	305	248	36	63	87.6	190	25	85.7	34.1	26
UCFL217	85		305	248	36	63	87.6	190	25	85.7	34.1	26
UCFL218-56	88.9	3-1/2	320	265	40	68	96.3	205	25	96.0	39.7	26
UCFL218	90		320	265	40	68	96.3	205	25	96.0	39.7	26
UCFL305-14	22.225	7/8	150	113	16	29	39	80	19	38.0	15	13
UCFL305-15	23.8125	15/16	150	113	16	29	39	80	19	38.0	15	13
UCFL305	25		150	113	16	29	39	80	19	38.0	15	13
UCFL305-16	25.4	1	150	113	16	29	39	80	19	38.0	15	13
UCFL306-18	28.575	1-1/8	180	134	18	32	44	90	23	43.0	17	15
UCFL306	30		180	134	18	32	44	90	23	43.0	17	15
UCFL306-19	30.1625	1-3/16	180	134	18	32	44	90	23	43.0	17	15
UCFL307-20	31.75	1-1/4	185	141	20	36	48	100	23	48.0	19	16
UCFL307-21	33.3375	1-5/16	185	141	20	36	48	100	23	48.0	19	16
UCFL307-22	34.925	1-3/8	185	141	20	36	48	100	23	48.0	19	16
UCFL307	35		185	141	20	36	48	100	23	48.0	19	16
UCFL307-23	36.5125	1-7/16	185	141	20	36	48	100	23	48.0	19	16
UCFL308-24	38.1	1-1/2	200	158	23	40	56	112	23	52.0	19	17
UCFL308-25	39.6875	1-9/16	200	158	23	40	56	112	23	52.0	19	17
UCFL308	40		200	158	23	40	56	112	23	52.0	19	17
UCFL309-26	41.275	1-5/8	230	177	25	44	60	125	25	57.0	22	18
UCFL309-27	42.8625	1-11/16	230	177	25	44	60	125	25	57.0	22	18
UCFL309-28	44.45	1-3/4	230	177	25	44	60	125	25	57.0	22	18
UCFL309	45		230	177	25	44	60	125	25	57.0	22	18
UCFL310-30	47.625	1-7/8	240	187	28	48	67	140	25	61.0	22	19
UCFL310-31	49.2125	1-15/16	240	187	28	48	67	140	25	61.0	22	19
UCFL310	50		240	187	28	48	67	140	25	61.0	22	19

UCFL SERIES

Bearing No.	mm ^d	in	a	e	i	l	z	A	s	B ₁	n	g
UCFL311-32	50.8	2	250	198	30	52	71	150	25	66	25	20
UCFL311-34	53.975	2-1/8	250	198	30	52	71	150	25	66	25	20
UCFL311	55		250	198	30	52	71	150	25	66	25	20
UCFL311-35	55.5625	2-3/16	250	198	30	52	71	150	25	66	25	20
UCFL312-36	57.15	2-1/4	270	212	33	56	76	160	31	71	26	22
UCFL312	60		270	212	33	56	76	160	31	71	26	22
UCFL312-38	60.325	2-3/8	270	212	33	56	76	160	31	71	26	22
UCFL312-39	61.9125	2-7/16	270	212	33	56	76	160	31	71	26	22
UCFL313-40	63.5	2-1/2	295	240	33	58	78	175	31	75	30	25
UCFL313	65		295	240	33	58	78	175	31	75	30	25
UCFL314-44	69.85	2-3/4	315	250	36	61	81	185	35	78	33	28
UCFL314	70		315	250	36	61	81	185	35	78	33	28
UCFL315	75	3	320	260	39	66	89	195	35	82	32	30
UCFL315-48	76.2		320	260	39	66	89	195	35	82	32	30
UCFL316-50	79.375	3-1/8	355	285	38	68	90	210	38	86	34	32
UCFL316	80		355	285	38	68	90	210	38	86	34	32
UCFL317-52	82.55	3-1/4	370	300	44	74	100	220	38	96	40	32
UCFL317	85		370	300	44	74	100	220	38	96	40	32
UCFL318-56	88.9	3-1/2	385	315	44	76	100	235	38	96	40	36
UCFL318	90		385	315	44	76	100	235	38	96	40	36



UCT SERIES

Bearing No.	mm ^d	in	w	a	k	e	i	l	h	B ₁	n
UCT203	17		94	89	12	76	32	21	61	31	12.7
UCT203-11	17.4625	11/16	94	89	12	76	32	21	61	31	12.7
UCT204-12	19.05	3/4	94	89	12	76	32	21	61	31	12.7
UCT204	20		94	89	12	76	32	21	61	31	12.7
UCT205-14	22.225	7/8	97	89	12	76	32	24	62	34	14.3
UCT205-15	23.8125	15/16	97	89	12	76	32	24	62	34	14.3
UCT205	25		97	89	12	76	32	24	62	34	14.3
UCT205-16	25.4	1	97	89	12	76	32	24	62	34	14.3
UCT206-17	26.9875	1-1/16	113	102	12	89	37	28	70	38.1	15.9
UCT206-18	28.575	1-1/8	113	102	12	89	37	28	70	38.1	15.9
UCT206	30		113	102	12	89	37	28	70	38.1	15.9
UCT206-19	30.1625	1-3/16	113	102	12	89	37	28	70	38.1	15.9
UCT206-20	31.75	1-1/4	113	102	12	89	37	28	70	38.1	15.9
UCT207-20	31.75	1-1/4	129	102	12	89	37	30	78	42.9	17.5
UCT207-21	33.3375	1-5/16	129	102	12	89	37	30	78	42.9	17.5
UCT207-22	34.925	1-3/8	129	102	12	89	37	30	78	42.9	17.5
UCT207	35		129	102	12	89	37	30	78	42.9	17.5
UCT207-23	36.5125	1-7/16	129	102	12	89	37	30	78	42.9	17.5
UCT208-24	38.1	1-1/2	144	114	16	102	49	33	88	49.2	19
UCT208-25	39.6875	1-9/16	144	114	16	102	49	33	88	49.2	19
UCT208	40		144	114	16	102	49	33	88	49.2	19
UCT209-26	41.275	1-5/8	144	117	16	102	49	35	87	49.2	19
UCT209-27	42.8625	1-11/16	144	117	16	102	49	35	87	49.2	19
UCT209-28	44.45	1-3/4	144	117	16	102	49	35	87	49.2	19
UCT209	45		144	117	16	102	49	35	87	49.2	19
UCT210-30	47.625	1-7/8	149	117	16	102	49	37	90	51.6	19
UCT210-31	49.2125	1-15/16	149	117	16	102	49	37	90	51.6	19
UCT210	50		149	117	16	102	49	37	90	51.6	19
UCT210-32	50.8	2	149	117	16	102	49	37	90	51.6	19
UCT211-32	50.8	2	171	146	22	130	64	38	106	55.6	22.2
UCT211-34	53.975	2-1/8	171	146	22	130	64	38	106	55.6	22.2
UCT211	55		171	146	22	130	64	38	106	55.6	22.2

UCT SERIES

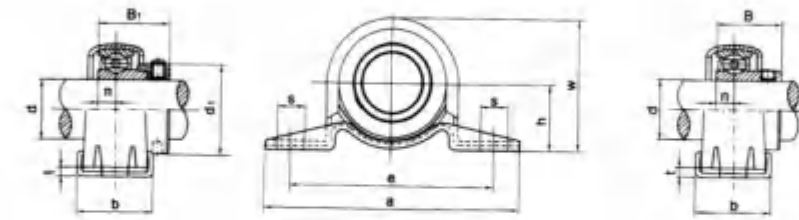
Bearing No.	mm ^d	in	w	a	k	e	i	l	h	B ₁	n
UCT211-35	55.5625	2-3/16	171	146	22	130	64	38	106	55.6	22.2
UCT212-36	57.15	2-1/4	194	146	22	130	64	42	119	65.1	25.4
UCT212-37	58.7375	2-5/16	194	146	22	130	64	42	119	65.1	25.4
UCT212	60		194	146	22	130	64	42	119	65.1	25.4
UCT212-38	60.325	2-3/8	194	146	22	130	64	42	119	65.1	25.4
UCT212-39	61.9125	2-7/16	194	146	22	130	64	42	119	65.1	25.4
UCT213-40	63.5	2-1/2	224	167	26	151	70	44	137	65.1	25.4
UCT213	65		224	167	26	151	70	44	137	65.1	25.4
UCT213-43	68.2625	2-11/16	224	167	26	151	70	44	137	65.1	25.4
UCT214-44	69.85	2-3/4	224	167	26	151	70	46	137	74.6	30.2
UCT214	70		224	167	26	151	70	46	137	74.6	30.2
UCT215-44	69.85	2-3/4	232	167	26	151	70	48	140	77.8	33.3
UCT215-47	74.6125	2-15/16	232	167	26	151	70	48	140	77.8	33.3
UCT215	75		232	167	26	151	70	48	140	77.8	33.3
UCT215-48	76.2	3	232	167	26	151	70	48	140	77.8	33.3
UCT216-50	79.375	3-1/8	235	184	26	165	70	51	140	82.6	33.3
UCT216	80		235	184	26	165	70	51	140	82.6	33.3
UCT216-52	82.55	3-1/4	235	184	26	165	70	51	140	82.6	33.3
UCT217-52	82.55	3-1/4	260	198	30	173	73	54	162	85.7	34.1
UCT217	85		260	198	30	173	73	54	162	85.7	34.1
UCT305-14	22.225	7/8	122	89	12	80	36	26	76	38	15
UCT305-15	23.8125	15/16	122	89	12	80	36	26	76	38	15
UCT305	25		122	89	12	80	36	26	76	38	15
UCT305-16	25.4	1	122	89	12	80	36	26	76	38	15
UCT306-18	28.575	1-1/8	137	100	16	90	41	28	85	43	17
UCT306	30		137	100	16	90	41	28	85	43	17
UCT306-19	30.1625	1-3/16	137	100	16	90	41	28	85	43	17
UCT307-20	31.75	1-1/4	150	110	16	100	45	32	94	48	19
UCT307-21	33.3375	1-5/16	150	110	16	100	45	32	94	48	19
UCT307-22	34.925	1-3/8	150	110	16	100	45	32	94	48	19
UCT307	35		150	110	16	100	45	32	94	48	19
UCT307-23	36.5125	1-7/16	150	110	16	100	45	32	94	48	19
UCT308-24	38.1	1-1/2	162	124	18	112	50	34	100	52	19
UCT308-25	36.6875	1-9/16	162	124	18	112	50	34	100	52	19
UCT308	40		162	124	18	112	50	34	100	52	19
UCT309-26	41.275	1-5/8	178	138	18	125	55	38	110	57	22
UCT309-27	42.8625	1-11/16	178	138	18	125	55	38	110	57	22
UCT309-28	44.45	1-3/4	178	138	18	125	55	38	110	57	22
UCT309	45		178	138	18	125	55	38	110	57	22

UCF SERIES

Bearing No.	mm ^d	in	a	e	i	l	z	s	Bi	n	g
UCF212-36	57.1500	2-1/4	175	143	29	48	68.7	19	65.1	25.4	20
UCF212-37	58.7375	2-5/16	175	143	29	48	68.7	19	65.1	25.4	20
UCF212	60.0000		175	143	29	48	68.7	19	65.1	25.4	20
UCF212-38	60.3250	2-3/8	175	143	29	48	68.7	19	65.1	25.4	20
UCF212-39	61.9125	2-2/16	175	143	29	48	68.7	19	65.1	25.4	20
UCF213-40	63.5000	2-1/2	187	149	30	50	69.7	19	65.1	25.4	20
UCF213	65.0000		187	149	30	50	69.7	19	65.1	25.4	20
UCF213-43	68.2625	2-11/16	187	149	30	50	69.7	19	65.1	25.4	20
UCF214-44	69.8500	2-3/4	193	152	31	54	75.4	19	74.6	30.2	24
UCF214	70.0000		193	152	31	54	75.4	19	74.6	30.2	24
UCF215-44	69.8500	2-3/4	200	159	34	56	78.5	19	77.8	33.3	24
UCF215-47	74.6125	2-15/16	200	159	34	56	78.5	19	77.8	33.3	24
UCF215	75.0000		200	159	34	56	78.5	19	77.8	33.3	24
UCF215-48	76.2000	3	200	159	34	56	78.5	19	77.8	33.3	24
UCF216-50	79.3750	3-1/8	208	165	34	58	83.3	23	82.6	33.3	24
UCF216	80.0000		208	165	34	58	83.3	23	82.6	33.3	24
UCF216-52	82.5500	3-1/4	208	165	34	58	83.3	23	82.6	33.3	24
UCF217-52	82.5500	3-1/4	220	175	36	63	87.6	23	85.7	34.1	26
UCF217	85.0000		220	175	36	63	87.6	23	85.7	34.1	26
UCF218-56	88.9000	3-1/2	235	187	40	68	96.3	23	96	39.7	26
UCF218	90.0000		235	187	40	68	96.3	23	96	39.7	26
UCF305-14	22.2250	7/8	110	80	16	29	39	16	38	15	13
UCF305-15	23.8125	15/16	110	80	16	29	39	16	38	15	13
UCF305	25.0000		110	80	16	29	39	16	38	15	13
UCF305-16	25.4000	1	110	80	16	29	39	16	38	15	13
UCF306-18	28.5750	1-1/8	125	95	18	32	44	16	43	17	15
UCF306	30.0000		125	95	18	32	44	16	43	17	15
UCF306-19	30.1625	1-3/16	125	95	18	32	44	16	43	17	15
UCF307-20	31.7500	1-1/4	135	100	20	36	49	19	48	19	16
UCF307-21	33.3375	1-5/16	135	100	20	36	49	19	48	19	16
UCF307-22	34.9250	1-3/8	135	100	20	36	49	19	48	19	16
UCF307	35.0000		135	100	20	36	49	19	48	19	16
UCF307-23	36.5125	1-7/16	135	100	20	36	49	19	48	19	16
UCF308-24	38.1000	1-1/2	150	112	23	40	56	19	52	19	17
UCF308-25	39.6875	1-9/16	150	112	23	40	56	19	52	19	17
UCF308	40.0000		150	112	23	40	56	19	52	19	17
UCF309-26	41.2750	1-5/8	160	125	25	44	60	19	57	22	18
UCF309-27	42.8625	1-11/16	160	125	25	44	60	19	57	22	18
UCF309-28	44.4500	1-3/4	160	125	25	44	60	19	57	22	18
UCF309	45.0000		160	125	25	44	60	19	57	22	18
UCF310-30	47.6250	1-7/8	175	132	28	48	67	23	61	22	19
UCF310-31	49.2125	1-15/16	175	132	28	48	67	23	61	22	19
UCF310	50.0000		175	133	28	48	67	23	61	22	19

UCF SERIES

Bearing No.	mm ^d	in	a	e	i	l	z	s	Bi	n	g
UCF311-32	50.8000	2	185	140	30	52	71	23	66	25	20
UCF311-34	53.9750	2-1/8	185	140	30	52	71	23	66	25	20
UCF311	55.0000		185	140	30	52	71	23	66	25	20
UCF311-25	55.5625	2-3/16	185	140	30	52	71	23	66	25	20
UCF312-36	57.1500	2-1/4	195	150	33	56	78	23	71	26	22
UCF312	60.0000		195	150	33	56	78	23	71	26	22
UCF312-38	60.3250	2-3/8	195	150	33	56	78	23	71	26	22
UCF312-39	61.9125	2-7/16	195	150	33	56	78	23	71	26	22
UCF313-40	63.5000	2-1/2	208	166	33	58	78	23	75	30	22
UCF313	65.0000		208	166	33	58	78	23	75	30	22
UCF314-44	69.8500	2-3/4	226	178	36	61	81	25	78	33	25
UCF314	70.0000		226	178	36	61	81	25	78	33	25
UCF315	75.0000	3	236	184	39	66	89	25	82	32	25
UCF315-48	76.2000		236	184	39	66	89	25	82	32	25
UCF316-50	79.3750	3-1/8	256	196	39	68	91	31	86	34	27
UCF316	80.0000		256	196	39	68	91	31	86	34	27
UCF317-52	82.5500	3-1/4	260	204	44	74	100	31	96	40	27
UCF317	85.0000		260	204	44	74	100	31	96	40	27
UCF318-56	88.9000	3-1/2	280	216	44	76	100	35	96	40	30
UCF318	90.0000		280	216	44	76	100	35	96	40	30

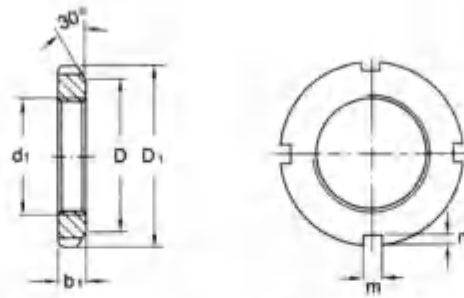


UCT SERIES

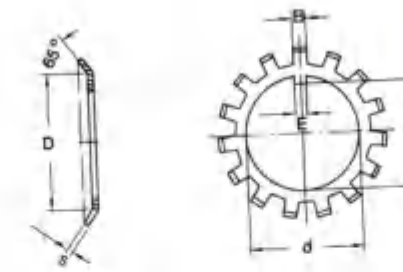
Bearing No.	mm ^d	in	w	a	k	e	i	l	h	B ₁	n
UCT311-32	50.8	2	207	162	22	150	66	44	127	66	25
UCT311-34	53.975	2-1/8	207	162	22	150	66	44	127	66	25
UCT311	55		207	162	22	150	66	44	127	66	25
UCT311-35	55.5625	2-3/16	207	162	22	150	66	44	127	66	25
UCT312-36	57.15	2-1/4	220	178	22	160	71	46	135	71	26
UCT312	60		220	178	22	160	71	46	135	71	26
UCT312-38	60.325	2-3/8	220	178	22	160	71	46	135	71	26
UCT312-39	61.9125	2-7/16	220	178	22	160	71	46	135	71	26
UCT313-40	63.5	2-1/2	238	190	26	170	80	50	146	75	30
UCT313	65		238	190	26	170	80	50	146	75	30
UCT314-44	69.85	2-3/4	252	202	26	180	90	52	155	78	33
UCT314	70		252	202	26	180	90	52	155	78	33
UCT315	75	3	262	216	26	192	90	55	160	82	32
UCT315-48	76.2		262	216	26	192	90	55	160	82	32
UCT316-50	79.375	3-1/8	282	230	30	204	102	60	174	86	34
UCT316	80		282	230	30	204	102	60	174	86	34
UCT317-52	82.55	3-1/4	298	240	32	214	102	64	183	96	40
UCT317	85		298	240	32	214	102	64	183	96	40
UCT318-56	88.9	3-1/2	312	255	32	228	110	66	192	96	40
UCT318	90		312	255	32	228	110	66	192	96	40

SAPP, SBPP SERIES

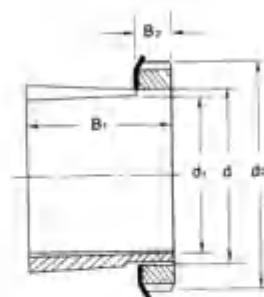
Bearing No.	mm ^d	in	a	w	e	h	b	s	B ₁	B	n
203	17	11/16	86	44	68	22.2	25	9.5	28.6	22	6.0
203-11	17.4625		86	44	68	22.2	25	9.5	28.6	22	6.0
204-12	19.05	3/4	98	50	76	25.4	32	9.5	29.5	25	7.0
204	20		98	50	76	25.4	32	9.5	29.5	25	7.0
205-14	22.225	7/8	108	56	86	28.6	32	11.5	30.5	27	7.5
205-15	23.8125	15/16	108	56	86	28.6	32	11.5	30.5	27	7.5
205	25		108	56	86	28.6	32	11.5	30.5	27	7.5
205-16	25.4	1	108	56	86	28.6	32	11.5	30.5	27	7.5
SAPP 206-17	26.9875	1-1/16	117	66	95	33.3	38	11.5	33.9	30	8.0
SBPP 206-18	28.575	1-1/8	117	66	95	33.3	38	11.5	33.9	30	8.0
206	30		117	66	95	33.3	38	11.5	33.9	30	8.0
206-19	30.1625	1-3/16	117	66	95	33.3	38	11.5	33.9	30	8.0
206-20	31.75	1-1/4	117	66	95	33.3	38	11.5	33.9	30	8.0
207-20	31.75	1-1/4	129	78	106	39.7	42	11.5	36.5	32	8.5
207-21	33.3375	1-5/16	129	78	106	39.7	42	11.5	36.5	32	8.5
207-22	34.925	1-3/8	129	78	106	39.7	42	11.5	36.5	32	8.5
207	35		129	78	106	39.7	42	11.5	36.5	32	8.5
207-23	36.5125	1-7/16	129	78	106	39.7	42	11.5	36.5	32	8.5


KM, KML SERIES

Bearing No.	d ₁	D ₁	b ₁	D	m	n
KM0	M10x0.75	18	4	13.5	3	2
KM1	M12x1	22	4	17	3	2
KM2	M15x1	25	5	21	4	2
KM3	M17x1	28	5	24	4	2
KM4	M20x1	32	6	26	4	2
KM5	M25x1.5	38	7	32	5	2
KM6	M30x1.5	45	7	38	5	2
KM7	M35x1.5	52	8	44	5	2
KM8	M40x1.5	58	9	50	6	2.5
KM9	M45x1.5	65	10	56	6	2.5
KM10	M50x1.5	70	11	61	6	2.5
KM11	M55x2	75	11	67	7	3
KM12	M60x2	80	11	73	7	3
KM13	M65x2	85	12	79	7	3
KM14	M70x2	92	12	85	8	3.5
KM15	M75x2	98	13	90	8	3.5
KM16	M80x2	105	15	95	8	3.5
KM17	M85x2	110	16	102	8	3.5
KM18	M90x2	120	16	108	10	4
KM19	M95x2	125	17	113	10	4
KM20	M100x2	130	18	120	10	4
KM21	M105x2	140	18	126	12	5
KM22	M110x2	145	19	133	12	5
KM23	M115x2	150	19	137	12	5
KM24	M120x2	155	20	138	12	5
KM25	M125x2	160	21	148	12	5
KM26	M130x2	165	21	149	12	5
KM27	M135x2	175	22	160	14	6
KM28	M140x2	180	22	160	14	6
KM29	M145x2	190	24	171	14	6
KM30	M150x2	195	24	171	14	6
KM31	M155x3	200	25	182	16	7
KM32	M160x3	210	25	182	16	7
KM33	M165x3	210	26	193	16	7
KM34	M170x3	220	26	193	16	7
KM36	M180x3	230	27	203	18	8
KM38	M190x3	240	28	214	18	8
KM40	M200x3	250	29	226	18	8
KML24	M120x2	145	20			
KML26	M130x2	155	21			
KML28	M140x2	165	22			
KML30	M150x2	180	24			
KML32	M160x3	190	25			
KML34	M170x3	200	26			
KML36	M180x3	210	27			
KML38	M190x3	220	28			
KML40	M200x3	240	29			

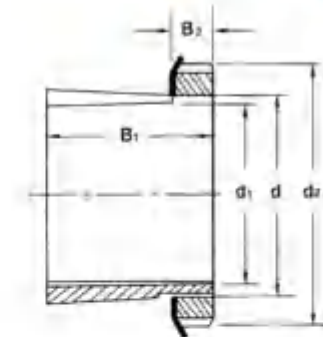

MB SERIESA

Bearing No.	d	D	s	E	F	B
MB0	10	13.5	1	3	8.5	3
MB1	12	17	1	3	10.5	3
MB2	15	21	1	4	13.5	4
MB3	17	24	1	4	15.5	4
MB4	20	28	1	4	18.5	4
MB5	25	32	1.25	5	23	5
MB6	30	38	1.25	5	27.5	5
MB7	35	44	1.25	6	32.5	5
MB8	40	50	1.25	6	37.5	6
MB9	45	56	1.25	6	42.5	6
MB10	50	61	1.25	6	47.5	6
MB11	55	67	1.5	8	52.5	7
MB12	60	73	1.5	8	57.5	7
MB13	65	79	1.5	8	62.5	7
MB14	70	85	1.5	8	66.5	8
MB15	75	90	1.5	8	71.5	8
MB16	80	95	1.8	10	76.5	8
MB17	85	102	1.8	10	81.5	8
MB18	90	108	1.8	10	86.5	10
MB19	95	113	1.8	10	91.5	10
MB20	100	120	1.8	12	96.5	10
MB21	105	126	1.8	12	100.5	12
MB22	110	133	1.8	12	105.5	12
MB23	115	137	2	12	110.5	12
MB24	120	138	2	14	115	12
MB25	125	148	2	14	120	12
MB26	130	149	2	14	125	12
MB27	135	160	2	14	130	14
MB28	140	160	2	16	135	14
MB29	145	171	2	16	140	14
MB30	150	171	2	16	145	14
MB31	155	182	2.5	16	147.5	16
MB32	160	182	2.5	18	154	16
MB33	165	193	2.5	18	157.5	16
MB34	170	193	2.5	18	164	16
MB36	180	203	2.5	20	174	18
MB38	190	214	2.5	20	184	18
MB40	200	226	2.5	20	194	18
MB44	220	250	3	24	213	20
MB48	240	270	3	24	233	20
MB52	260	300	3	28	253	24
MB56	280	320	3	28	273	24



H, HE, HS, HA SERIES

H	Bearing No.			H	d ₁	HS	HA	B ₁	B ₂	d	d ₂
	HE	HS	HA								
H204		HS204		17		15.875		24	7	20	32
H205	HE205			20	19.05			26	8	25	38
H206	HE206	HS206	HA206	25	25.4	22.225	23.812	27	8	30	45
H207	HE207	HS207	HA207	30	31.75	28.575	30.162	29	9	35	52
H208	HE208	HS208		35	31.75	34.925		31	10	40	58
H209	HE209		HA209	40	38.1		36.512	33	11	45	65
H210	HE210	HS210	HA210	45	44.45	41.275	42.862	35	12	50	70
H211	HE211	HS211	HA211	50	50.8	47.625	49.212	37	12	55	75
H212	HE212	HS212		55	57.15	53.975		38	13	60	80
H213	HE213	HS213	HA213	60	57.15	60.325	55.562	40	14	65	85
H214				60				41	14	70	92
H215	HE215	HS215	HA215	65	63.5	66.675	61.912	43	15	75	98
H216	HE216		HA216	70	69.85		68.262	46	17	80	105
H217	HE217		HA217	75	76.2		74.612	50	18	85	110
H218	HE218		HA218	80	82.55		80.962	52	18	90	120
H219	HE219			85	82.55			55	19	95	125
H220	HE220		HA220	90	88.9		87.312	58	20	100	130
H221				95				60	20	105	140
H222	HE222			100	101.6			63	21	110	145
H304		HS304		17		15.875		28	7	20	32
H305	HE305			20	19.05			29	8	25	38
H306	HE306	HS306	HA306	25	25.4	22.225	23.812	31	8	30	45
H307	HE307	HS307	HA307	30	31.75	28.575	30.162	35	9	35	52
H308	HE308	HS308		35	31.75	34.925		36	10	40	58
H309	HE309		HA309	40	38.1		36.512	39	11	45	65
H310	HE310	HS310	HA310	45	44.45	41.275	42.862	42	12	50	70
H311	HE311	HS311	HA311	50	50.8	47.625	49.212	45	12	55	75
H312	HE312	HS312		55	57.15	53.975		47	13	60	80
H313	HE313	HS313	HA313	60	57.15	60.325	55.562	50	14	65	85
H314				60				52	14	70	92
H315	HE315	HS315	HA315	65	63.5	66.675	61.912	55	15	75	98
H316	HE316		HA316	70	69.85		68.262	59	17	80	105
H317	HE317		HA317	75	76.2		74.612	63	18	85	110
H318	HE318		HA318	80	82.55		80.962	65	18	90	120
H319	HE319			85	82.55			68	19	95	125
H320	HE320		HA320	90	88.9		87.312	71	20	100	130
H321				95				74	20	105	140
H322	HE322			100	101.6			77	21	110	145

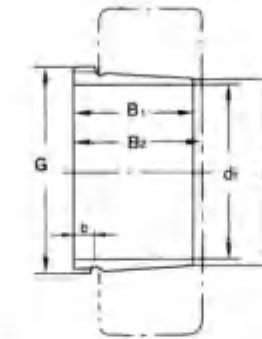


H, HE, HS, HA SERIES

H	Bearing No.			H	d ₁	HS	HA	B ₁	B ₂	d	d ₂
	HE	HS	HA								
H2304		HS2304		17		15.875		31	7	20	32
H2305	HE2305			20	19.05			35	8	25	38
H2306	HE2306	HS2306	HA2306	25	25.4	22.225	23.812	38	8	30	45
H2307	HE2307	HS2307	HA2307	30	31.75	28.575	30.162	43	8	35	52
H2308	HE2308	HS2308		35	31.75	34.925		46	9	40	58
H2309	HE2309		HA2309	40	38.1		36.512	50	10	45	65
H2310	HE2310	HS2310	HA2310	45	44.45	41.275	42.862	50	11	50	70
H2311	HE2311	HS2311	HA2311	50	50.8	47.625	49.212	59	12	55	75
H2312	HE2312	HS2312		55	57.15	53.925		62	12	60	80
H2313	HE2313	HS2313	HA2313	60	57.15	60.325	55.562	65	13	65	85
H2314				60				68	14	70	92
H2315	HE2315	HS2315	HA2315	65	63.5	66.625	61.912	73	14	75	98
H2316	HE2316		HA2316	70	69.85		68.262	78	15	80	105
H2317	HE2317		HA2317	75	76.2		74.612	82	17	85	110
H2318	HE2318		HA2318	80	82.55		80.962	86	18	90	120
H2319	HE2319			85	82.55			90	18	95	125
H2320	HE2320		HA2320	90	88.9		87.312	97	19	100	130
H2321				95				101	20	105	140
H2322	HE2322			100	101.6			105	20	110	145
H2324	HE2324		HA2324	110	107.95		106.362	112	21	120	155
H2326	HE2326		HA2326	115	114.3		112.712	121	22	130	165
H2328	HE2328		HA2328	125	127		125.412	131	23	140	180
H2330	HE2330		HA2330	135	133.35		131.762	139	24	150	195
H2332	HE2332		HA2332	140	139.7		138.112	147	26	160	210
H2334	HE2334		HA2334	150	152.4		150.812	154	28	170	220
H2336	HE2336		HA2336	160	165.1		163.512	161	29	180	230
H2338	HE2338		HA2338	170	171.45		176.212	169	30	190	240
H2340	HE2340		HA2340	180	177.8		182.562	176	31	200	250
H2344				200				183	32	220	280
H2348				220				196	37	240	300
H2352				240				208	39	260	330
H2356				260				221	41	280	350

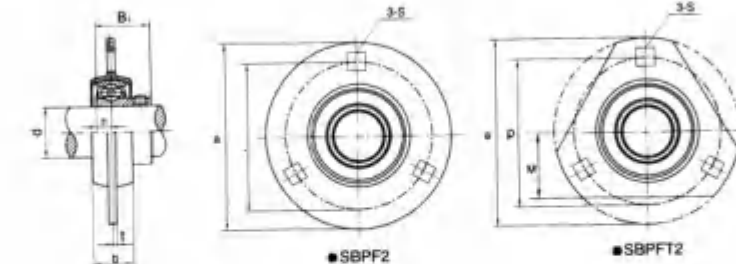
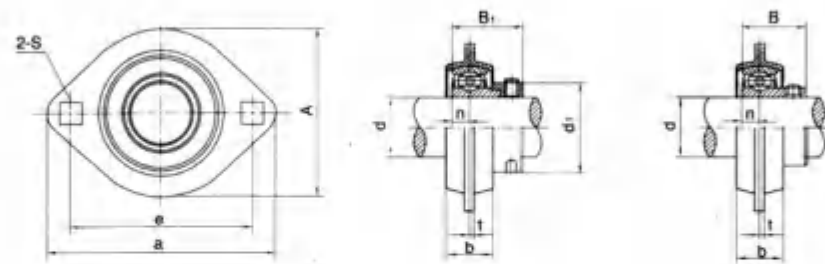
H, HE, HA SERIES

Bearing No.			H	d ₁	HA	B ₁	B ₂	B ₃	d	d ₂
H	HE	HA	H	HE	HA	B ₁	B ₂	B ₃	d	d ₂
H3024	HE3024	HA3024	110	107.95	106.362	72	22		120	155
H3026	HE3026	HA3026	115	114.3	112.712	80	23		130	165
H3028	HE3028	HA3028	125	127	125.412	82	24		140	180
H3030	HE3030	HA3030	135	133.35	131.762	87	26		150	195
H3032	HE3032	HA3032	140	139.7	138.112	93	28		160	210
H3034	HE3034	HA3034	150	152.4	150.812	101	29		170	220
H3036	HE3036	HA3036	160	165.1	163.512	109	30		180	230
H3038	HE3038	HA3038	170	171.45	176.212	112	31		190	240
H3040	HE3040	HA3040	180	177.8	182.562	120	32		200	250
H3044			200			128	35		220	280
H3048			220			133	37		240	300
H3052			240			147	39		260	330
H3056			260			152	40		280	350
H3060			280			168	40	53	300	380
H3064			300			171	42	56	320	400
H3068			320			187	55	72	340	440
H3072			340			188	58	75	360	460
H3076			360			193	60	77	380	490
H3080			380			210	62	82	400	520
H3084			400			212	70	90	420	540
H3088			410			228	70	90	440	560
H3092			430			234	75	95	460	580
H3096			450			237	75	95	480	620
H3120	HE3120	HA3120	90	88.9		76	20		100	130
H3122	HE3122		100	101.6		81	21		110	145
H3124	HE3124	HA3124	110	107.95	106.362	88	22		120	155
H3126	HE3126	HA3126	115	114.3	112.712	92	23		130	165
H3128	HE3128	HA3128	125	127	125.412	97	24		140	180
H3130	HE3130	HA3130	135	133.35	131.762	111	26		150	195
H3132	HE3132	HA3132	140	139.7	138.112	119	28		160	210
H3134	HE3134	HA3134	150	152.4	150.812	122	29		170	220
H3136	HE3136	HA3136	160	165.1	163.512	131	30		180	230
H3138	HE3138	HA3138	170	171.45	176.212	141	31		190	240
H3140	HE3140	HA3140	180	177.8	182.562	150	32		200	250
H3144			200			158	32		220	280
H3148			220			169	34		240	300
H3152			240			187	36		260	330
H3156			260			192	38		280	350
H3160			280			208	40	53	300	380
H3164			300			226	42	56	320	400
H3168			320			254	55	72	340	440
H3172			340			259	58	75	360	460
H3176			360			264	60	77	380	490
H3180			380			272	62	82	400	520
H3184			400			304	70	90	420	540
H3188			410			307	70	90	440	560
H3192			430			326	75	95	460	580
H3196			450			335	75	95	480	620



AH,AHX SERIES

Bearing Number	G	b	B ₁	B ₂	d ₁	d	
AH208	M45x1.5	6	25	27	35	40	
AH209	M50x1.5	6	26	29	40	45	
AH210	M55x2	7	28	31	45	50	
AH211	M60x2	7	29	32	50	55	
AH212	M65x2	8	32	35	55	60	
AH213	M75x2	8	32.5	36	60	65	
AH214	M80x2	8	33.5	37	65	70	
AH215	M85x2	8	34.5	38	70	75	
AH216	M90x2	8	35.5	39	75	80	
AH217	M95x2	9	38.5	42	80	85	
AH218	M100x2	9	40	44	85	90	
AH219	M105x2	10	43	47	90	95	
AH220	M110x2	10	45	49	95	100	
AH222	M110x2	11	50	54	105	110	
AH308	M45x1.5	6	29	32	35	40	
AH309	M50x1.5	6	31	34	40	45	
AH310	AHX310	M55x2	7	35	38	45	50
AH311		M60x2	7	37	40	50	55
AH312		M65x2	8	40	43	55	60
AH313	AHX311	M75x2	8	42	45	60	65
AH314	AHX312	M80x2	8	43	47	65	70
AH315		M85x2	8	45	49	70	75
AH316		M90x2	8	48	52	75	80
AH317		M95x2	9	52	56	80	85
AH318		M100x2	9	53	57	85	90
AH319	AHX317	M105x2	10	57	61	90	95
AH320	AHX318	M110x2	10	59	63	95	100
AH322	AHX319	M120x2	12	63	67	105	110
AH2236	AHX320	M200x3	17	105	110	170	180
AH2238	AHX322	T210x4	18	112	117	180	190
AH2240		T220x4	19	118	123	190	200
AH2244		T240x4	20	130	136	200	220
AH2248		T260x4	21	144	150	220	240



SAPFL,SBPFL SERIES

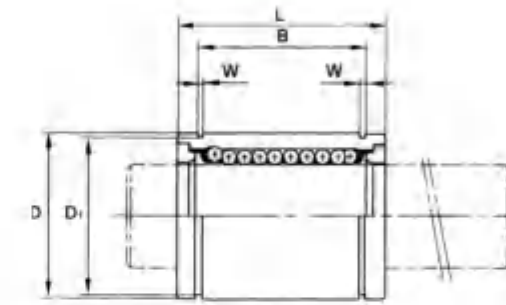
SBPF,SBPFT SERIES

Bearing No.	mm ^d	in	a	w	e	h	b	s	B _i	B	n
203	17		81	63.5	59	14	7.5	2.0	28.6	22	6.0
203-11	17.4625	11-16	81	63.5	59	14	7.5	2.0	28.6	22	6.0
204-12	19.05	3/4	90	71.5	67	16	9	2.0	29.5	25	7.0
204	20		90	71.5	67	16	9	2.0	29.5	25	7.0
205-14	22.225	7/8	95	76	71	18	9	2.0	30.5	27	7.5
205-15	23.8125	15/16	95	76	71	18	9	2.0	30.5	27	7.5
205	25		95	76	71	18	9	2.0	30.5	27	7.5
205-16	25.4	1	95	76	71	18	9	2.0	30.5	27	7.5
206-17	26.9875	1-1/16	113	90.5	84	19	11	2.5	33.9	30	8.0
206-18	28.575	1-1/8	113	90.5	84	19	11	2.5	33.9	30	8.0
206	30		113	90.5	84	19	11	2.5	33.9	30	8.0
206-19	30.1625	1-3/16	113	90.5	84	19	11	2.5	33.9	30	8.0
206-20	31.75	1-1/4	113	90.5	84	19	11	2.5	33.9	30	8.0
207-20	31.75	1-1/4	122	100	94	20	11	2.5	36.5	32	8.5
207-21	33.3375	1-5/16	122	100	94	20	11	2.5	36.5	32	8.5
207-22	34.925	1-3/8	122	100	94	20	11	2.5	36.5	32	8.5
207	35		122	100	94	20	11	2.5	36.5	32	8.5
207-23	36.5125	1-7/16	122	100	94	20	11	2.5	36.5	32	8.5

Bearing No.	mm ^d	in	a	P	b	s	T	B _i	n	M
203	17		81	63.5	14	7.5	2	22	6.0	29
203-11	17.4625	11/16	81	63.5	14	7.5	2	22	6.0	29
204-12	19.05	3/4	90	71.5	16	9	2	25	7.0	33
204	20		90	71.5	16	9	2	25	7.0	33
205-14	22.225	7/8	95	76	18	9	2	27	7.5	35
205-15	23.8125	15/16	95	76	18	9	2	27	7.5	35
205	25		95	76	18	9	2	27	7.5	35
205-16	25.4	1	95	76	18	9	2	27	7.5	35
206-17	26.9875	1-1/16	113	90.5	19	11	2.6	30	8.0	38
206-18	28.575	1-1/8	113	90.5	19	11	2.6	30	8.0	38
206	30		113	90.5	19	11	2.6	30	8.0	38
206-19	30.1625	1-3/16	113	90.5	19	11	2.6	30	8.0	38
206-20	31.75	1-1/4	113	90.5	19	11	2.6	30	8.0	38
207-20	31.75	1-1/4	122	100	20	11	2.6	32	8.5	45
207-21	33.3375	1-5/16	122	100	20	11	2.6	32	8.5	45
207-22	34.925	1-3/8	122	100	20	11	2.6	32	8.5	45
207	35		122	100	20	11	2.6	32	8.5	45
207-23	36.5125	1-7/16	122	100	20	11	2.6	32	8.5	45

AH,AHX SERIES

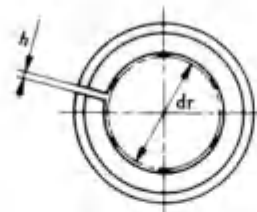
Bearing Number	G	b	B ₁	B ₂	d ₁	d
AH2308	M45x1.5	7	40	43	35	40
AH2309	M50x1.5	7	44	47	40	45
AH2310	AHX2310	9	50	53	45	50
AH2311	AHX2311	10	54	57	50	55
AH2312	AHX2312	11	58	61	55	60
AH2313		12	61	64	60	65
AH2314	AHX2314	12	64	68	65	70
AH2315	AHX2315	12	68	72	70	75
AH2316	AHX2316	12	71	75	75	80
AH2317	AHX2317	13	74	78	80	85
AH2318	AHX2318	14	79	83	85	90
AH2319	AHX2319	16	85	89	90	95
AH2320	AHX2320	16	90	94	95	100
AH2322	AHX2322	16	98	102	105	110
AH2324	AHX2324	17	105	109	115	120
AH2326	AHX2326	19	115	119	125	130
AH2328	AHX2328	20	125	130	135	140
AH2330	AHX2330	24	135	140	145	150
AH2332		24	140	146	150	160
AH2334		24	146	152	160	170
AH2336		26	154	160	170	180
AH2338		26	160	167	180	190
AH2340		30	170	177	190	200
AH3024	AHX3024	13	60	64	115	120
AH3026	AHX3026	14	67	71	125	130
AH3028	AHX3028	14	68	73	135	140
AH3030	AHX3030	15	72	77	145	150
AH3032	AHX3032	16	77	82	150	160
AH3034	AHX3034	17	85	90	160	170
AH3036		17	92	98	170	180
AH3038		18	96	102	180	190
AH3040		19	102	108	190	200
AH3120	AHX3120	11	64	68	95	100
AH3122	AHX3122	11	68	72	105	110
AH3124	AHX3124	12	75	79	115	120
AH3126	AHX3126	12	78	82	125	130
AH3128	AHX3128	14	83	88	135	140
AH3130	AHX3130	15	96	101	145	150
AH3132		16	103	108	150	160
AH3134		16	104	109	160	170
AH3136		19	116	122	170	180
AH3138		20	125	131	180	190
AH3140		21	134	140	190	200
AH3218	AHX3218	10	63	67	85	90
AH3219	AHX3219	11	67	71	90	95
AH3220	AHX3220	11	73	77	95	100
AH3222	AHX3222	11	82	86	105	110
AH3224	AHX3224	13	90	94	115	120
AH3226	AHX3226	15	98	102	125	130
AH3228	AHX3228	15	104	109	135	140
AH3230		17	114	119	145	150
AH3232		20	124	130	150	160
AH3234		24	134	140	160	170
AH3236		24	140	146	170	180
AH3238		25	145	152	180	190
AH3240		25	153	160	190	220


LM SERIES

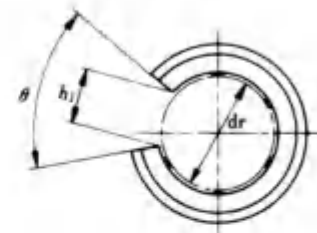
Bearing No.	Ball Rows	dr	D	L	B	W	h	h ₁	θ
LM5	3	5	10	16	10.2	1.1	1		
LM6	LM6-AJ	4	6	12	13.5	1.1	1		
LM8S	LM8S-AJ	4	8	15	11.5	1.1	1		
LM8	LM8-AJ	4	8	15	17.5	1.1	1		
LM10	LM10-AJ LM10-OP	4	10	19	22	1.3	1		
LM13	LM13-AJ LM13-OP	4	13	23	23	1.3	1.5	9	80°
LM16	LM16-AJ LM16-OP	4	16	28	26.5	1.6	1.5	11	80°
LM20	LM20-AJ LM20-OP	5	20	32	30.5	1.6	1.5	11	60°
LM25	LM25-AJ LM25-OP	6	25	40	41	1.85	2	12	50°
LM30	LM30-AJ LM30-OP	6	30	45	44.5	1.85	2.5	15	50°
LM35	LM35-AJ LM35-OP	6	35	52	49.5	2.1	2.5	17	50°
LM38	LM38-AJ LM38-OP	6	38	57	58.5	2.1	3	18	50°
LM40	LM40-AJ LM40-OP	6	40	60	60.5	2.1	3	20	50°
LM50	LM50-AJ LM50-OP	6	50	80	74	2.6	3	25	50°
LM60	LM60-AJ LM60-OP	6	60	90	110	3.15	3	30	50°
LM80	LM80-AJ LM80-OP	6	80	120	105.5	4.15	3	40	50°
LM100	LM100-AJ LM100-OP	6	100	150	125.5	4.15	3	50	50°
LM120	LM120-AJ LM120-OP	8	120	180	158.8	4.15	4	85	80°
LM150	LM150-AJ LM150-OP	8	150	240	170.6	5.15	4	105	80°



LM



LM...AJ



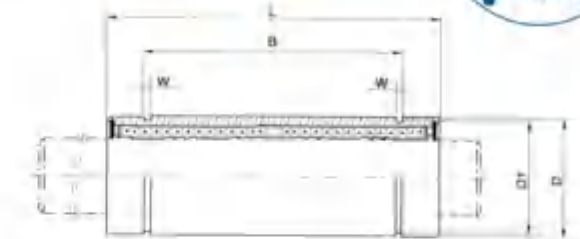
LM...OP

LME SERIES

Bearing No.	Ball Rows	dr	D	L	B	W	h	h ₁	θ
LME5 LME5-AJ -	3	5	12	22	14.5	1.1	1		
LME8 LME8-AJ -	4	8	16	25	16.5	1.1	1		
LME12 LME12-AJ LME12-OP	4	12	22	32	22.9	1.3	1.5	7.5	78°
LME16 LME16-AJ LME16-OP	4	16	26	36	24.9	1.3	1.5	10	78°
LME20 LME20-AJ LME20-OP	5	20	32	45	31.5	1.6	2	10	60°
LME25 LME25-AJ LME25-OP	6	25	40	58	44.1	1.85	2	12.5	60°
LME30 LME30-AJ LME30-OP	6	30	47	68	52.1	1.85	2	12.5	50°
LME40 LME40-AJ LME40-OP	6	40	62	80	60.6	2.15	3	16.8	50°
LME50 LME50-AJ LME50-OP	6	50	75	100	77.6	2.65	3	21	50°
LME60 LME60-AJ LME60-OP	6	60	90	125	101.7	3.15	3	27.2	54°
LME80 LME80-AJ LME80-OP	6	80	120	165	133.7	4.15	3	36.3	54°

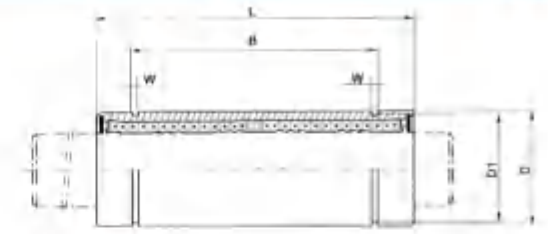
LMB SERIES

Bearing No.	Ball Rows	dr	D	L	B	W	h	h ₁	θ
LMB4 - -	3	6.35	12.7	19.05	12.98	0.992			
LMB6 - -	4	9.525	15.875	22.225	16.15	0.992			
LMB8 LMB8-AJ LMB8-OP	4	12.7	22.225	31.75	24.46	1.168	1.5	9	80°
LMB12 LMB12-AJ LMB12-OP	5	19.05	31.75	41.275	29.61	1.422	1.5	11	60°
LMB16 LMB16-AJ LMB16-OP	6	25.4	39.688	57.15	44.57	1.727	1.5	12	50°
LMB20 LMB20-AJ LMB20-OP	6	31.75	50.8	66.675	50.92	1.727	2.5	15	50°
LMB24 LMB24-AJ LMB24-OP	6	38.1	60.325	76.2	61.26	2.184	3	18	50°
LMB32 LMB32-AJ LMB32-OP	6	50.8	76.2	101.6	81.07	2.616	3	25	50°
LMB40 LMB40-AJ LMB40-OP	6	63.5	95.25	127	100.99	3.048	3	30	50°
LMB48 LMB48-AJ LMB48-OP	6	76.2	114.3	152.4	120.04	3.048	3	40	50°
LMB64 LMB64-AJ LMB64-OP	6	101.6	152.4	203.2	158.95	3.53	3	50	50°



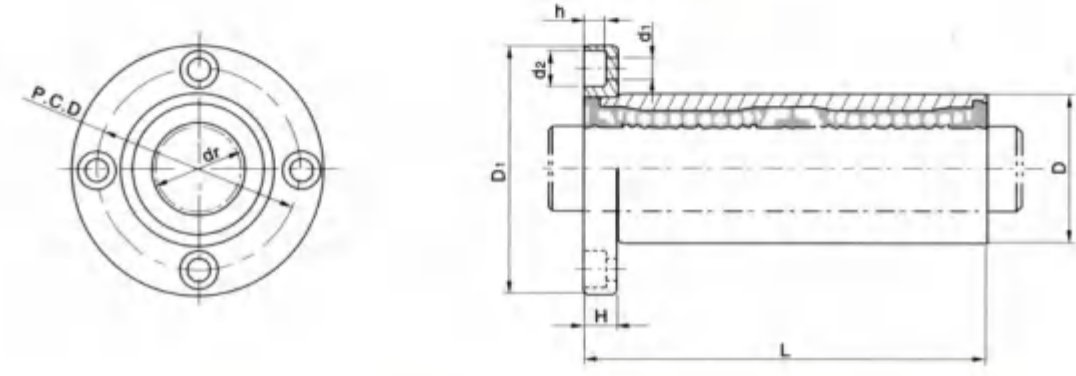
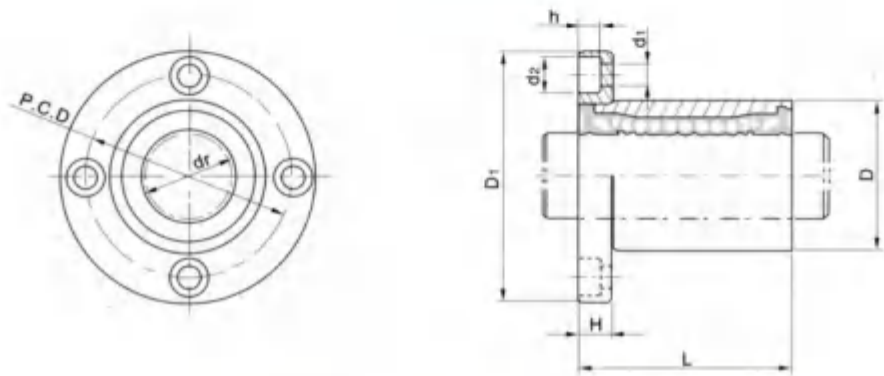
LM...LUU SERIES

Bearing No.	Ball Rows	dr	D	L	B	W
LM6LUU	4	6	12	35	27	1.1
LM8LUU	4	8	15	45	35	1.1
LM10LUU	4	10	19	55	44	1.3
LM12LUU	4	12	21	57	46	1.3
LM13LUU	4	13	23	61	46	1.3
LM16LUU	5	16	28	70	53	1.6
LM20LUU	5	20	32	80	61	1.6
LM25LUU	5	25	40	112	82	1.85
LM30LUU	6	30	45	123	89	1.85
LM35LUU	6	35	52	135	99	2.1
LM40LUU	6	40	60	154	121	2.1
LM50LUU	6	50	80	192	148	2.6
LM60LUU	6	60	90	211	170	3.15



LME...LUU SERIES

Bearing No.	Ball Rows	dr	D	L	B	W
LME8LUU	4	8	16	45	33	1.1
LME12LUU	4	12	22	57	45.8	1.3
LME16LUU	5	16	26	70	49.8	1.3
LME20LUU	5	20	32	80	61	1.6
LME25LUU	6	25	40	112	82	1.85
LME30LUU	6	30	47	123	104.2	1.85
LME40LUU	6	40	62	154	121.2	2.15
LME50LUU	6	50	75	192	155.2	2.65
LME60LUU	6	60	90	211	170	3.15

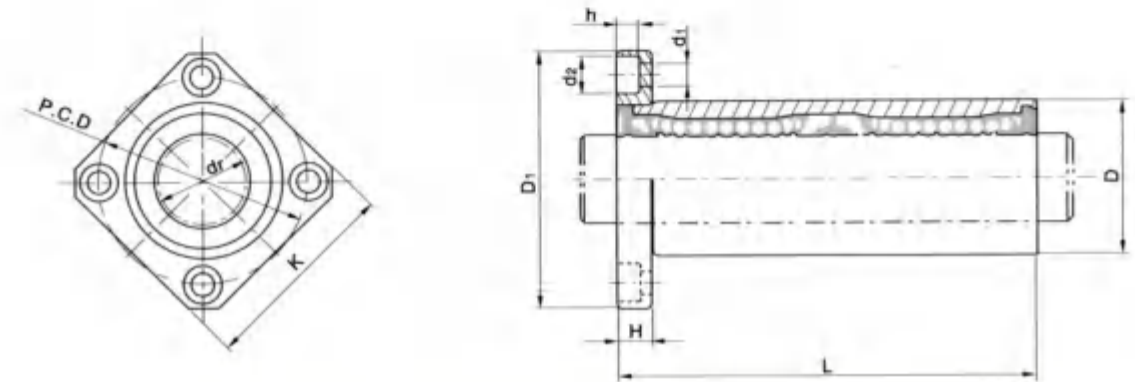
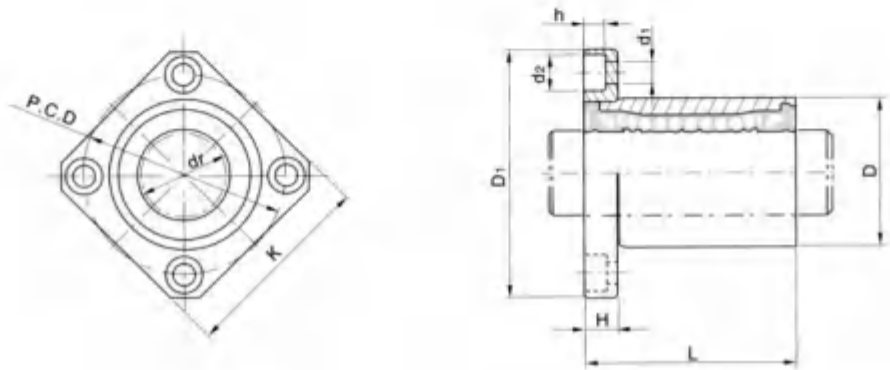


LMF...UU SERIES

LMF...LUU SERIES

Bearing No.	BallRows	dr	D	L	D1	H
LMF6UU	4	6	12	19	28	5
LMF8SUU	4	8	15	17	32	5
LMF8UU	4	8	15	24	32	5
LMF10UU	4	10	19	29	40	6
LMF12UU	4	12	21	30	42	6
LMF13UU	4	13	23	32	43	6
LMF16UU	5	16	28	37	48	6
LMF20UU	5	20	32	42	54	8
LMF25UU	6	25	40	59	62	8
LMF30UU	6	30	45	64	74	10
LMF35UU	6	35	52	70	82	10
LMF40UU	6	40	60	80	96	13
LMF50UU	6	50	80	100	116	13
LMF60UU	6	60	90	110	134	13

Bearing No.	BallRows	dr	D	L	D1	H
LMF6LUU	4	6	12	35	28	5
LMF8LUU	4	8	15	45	32	5
LMF10LUU	4	10	19	55	40	6
LMF12LUU	4	12	21	57	42	6
LMF13LUU	4	13	23	61	43	6
LMF16LUU	5	16	28	70	48	6
LMF20LUU	5	20	32	80	54	8
LMF25LUU	6	25	40	112	62	8
LMF30LUU	6	30	45	123	74	10
LMF35LUU	6	35	52	135	82	10
LMF40LUU	6	40	60	154	96	13
LMF50LUU	6	50	80	192	116	13
LMF60LUU	6	60	90	211	134	18

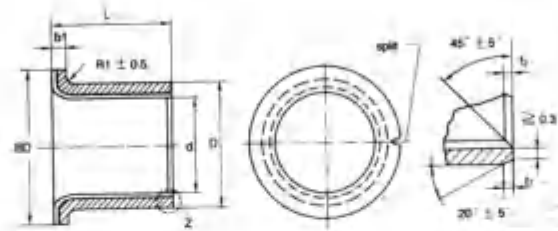


LMK...UU SERIES

LMK...LUU SERIES

Bearing No.	BallRows	dr	D	L	D1	K	H
LMK6UU	4	6	12	19	28	22	5
LMK8SUU	4	8	15	17	32	25	5
LMK8UU	4	8	15	24	32	25	5
LMK10UU	4	10	19	29	40	30	6
LMK12UU	4	12	21	30	42	32	6
LMK13UU	4	13	23	32	43	34	6
LMK16UU	5	16	28	37	48	37	6
LMK20UU	5	20	32	42	54	42	8
LMK25UU	6	25	40	59	62	50	8
LMK30UU	6	30	45	64	74	58	10
LMK35UU	6	35	52	70	82	64	10
LMK40UU	6	40	60	80	96	75	13
LMK50UU	6	50	80	100	116	92	13
LMK60UU	6	60	90	110	134	106	18

Bearing No.	BallRows	dr	D	L	D1	K	H
LMK6LUU	4	6	12	35	28	22	5
LMK8LUU	4	8	15	45	32	25	5
LMK10LUU	4	10	19	55	40	30	6
LMK12LUU	4	12	21	57	42	32	6
LMK13LUU	4	13	23	61	43	34	6
LMK16LUU	5	16	28	70	48	37	6
LMK20LUU	5	20	32	80	54	42	8
LMK25LUU	6	25	40	112	62	50	8
LMK30LUU	6	30	45	123	74	58	10
LMK35LUU	6	35	52	135	82	64	10
LMK40LUU	6	40	60	154	96	75	13
LMK50LUU	6	50	80	192	116	92	13
LMK60LUU	6	60	90	211	134	106	18



SF-1F SERIES

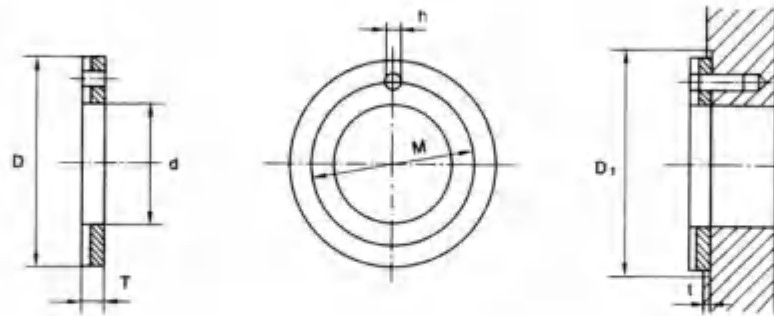
Bearing No.	d	D	BD	L	b ₁	f ₁	f ₂
SF-1F06070	6	8	12	7	1	0.5	0.3
SF-1F06090	6	8	12	9	1	0.5	0.3
SF-1F07080	7	9	13	8	1	0.5	0.3
SF-1F07110	7	9	13	11	1	0.5	0.3
SF-1F08090	8	10	15	9	1	0.5	0.3
SF-1F08110	8	10	15	11	1	0.5	0.3
SF-1F08130	8	10	15	13	1	0.5	0.3
SF-1F10090	10	12	18	9	1	0.5	0.3
SF-1F10160	10	12	18	16	1	0.5	0.3
SF-1F12090	12	14	20	9	1	0.5	0.3
SF-1F12160	12	14	20	16	1	0.5	0.3
SF-1F14110	14	16	22	11	1	0.5	0.3
SF-1F14160	14	16	22	16	1	0.5	0.3
SF-1F15090	15	17	23	9	1	0.5	0.3
SF-1F15160	15	17	23	16	1	0.5	0.3
SF-1F16090	16	18	24	9	1	0.5	0.3
SF-1F16160	16	18	24	16	1	0.5	0.3
SF-1F18110	18	20	26	11	1	0.5	0.3
SF-1F18113	18	20	26	13	1	0.5	0.3
SF-1F18210	18	20	26	21	1	0.5	0.3

Bearing No.	d	D	BD	L	b ₁	f ₁	f ₂
SF-1F20135	20	23	31	13.5	1.5	0.8	0.4
SF-1F20265	20	23	31	26.5	1.5	0.8	0.4
SF-1F22135	22	25	33	13.5	1.5	0.8	0.4
SF-1F22265	22	25	33	26.5	1.5	0.8	0.4
SF-1F24135	24	27	35	13.5	1.5	0.8	0.4
SF-1F24315	24	27	35	31.5	1.5	0.8	0.4
SF-1F25135	25	28	36	13.5	1.5	0.8	0.4
SF-1F25315	25	28	36	31.5	1.5	0.8	0.4
SF-1F28170	28	32	40	17	2	1	0.5
SF-1F28320	28	32	40	32	2	1	0.5
SF-1F30170	30	34	42	17	2	1	0.5
SF-1F30320	30	34	42	32	2	1	0.5
SF-1F32170	32	36	46	17	2	1	0.5
SF-1F32320	32	36	46	32	2	1	0.5
SF-1F35170	35	39	49	17	2	1	0.5
SF-1F35320	35	39	49	32	2	1	0.5
SF-1F40170	38	42	52	17	2	1	0.5
SF-1F40320	38	42	52	32	2	1	0.5
SF-1F40170	40	44	54	17	2	1	0.5
SF-1F40320	40	44	54	32	2	1	0.5

SF-2 SERIES

Bearing NO.	d	D	L	f ₁	f ₂	H
SF-2 1008	10	12	8	0.5	0.3	4
SF-2 1010	10	12	10	0.5	0.3	4
SF-2 1012	10	12	12	0.5	0.3	4
SF-2 1015	10	12	15	0.5	0.3	4
SF-2 1210	12	14	10	0.5	0.3	4
SF-2 1212	12	14	12	0.5	0.3	4
SF-2 1215	12	14	15	0.5	0.3	4
SF-2 1220	12	14	20	0.5	0.3	4
SF-2 1310	13	15	10	0.5	0.3	4
SF-2 1315	13	15	15	0.5	0.3	4
SF-2 1410	14	16	10	0.5	0.3	4
SF-2 1412	14	16	12	0.5	0.3	4
SF-2 1415	14	16	15	0.5	0.3	4
SF-2 1420	14	16	20	0.5	0.3	4
SF-2 1510	15	17	10	0.5	0.3	4
SF-2 1512	15	17	12	0.5	0.3	4
SF-2 1515	15	17	15	0.5	0.3	4
SF-2 1525	15	17	25	0.5	0.3	4
SF-2 1610	16	18	10	0.5	0.3	4
SF-2 1612	16	18	12	0.5	0.3	4
SF-2 1615	16	18	15	0.5	0.3	4
SF-2 1620	16	18	20	0.5	0.3	4
SF-2 1625	16	18	25	0.5	0.3	4
SF-2 1715	17	19	15	0.5	0.3	4
SF-2 1720	17	19	20	0.5	0.3	4
SF-2 1725	17	19	25	0.5	0.3	4
SF-2 1810	18	20	10	0.5	0.3	4
SF-2 1812	18	20	12	0.5	0.3	4
SF-2 1815	18	20	15	0.5	0.3	4
SF-2 1820	18	20	20	0.5	0.3	4
SF-2 1825	18	20	25	0.5	0.3	4
SF-2 2015	20	23	15	0.8	0.4	6
SF-2 2020	20	23	20	0.8	0.4	6

Bearing NO.	d	D	L	f ₁	f ₂	H
SF-2 2025	20	23	25	0.8	0.4	6
SF-2 2030	20	23	30	0.8	0.4	6
SF-2 2215	22	25	15	0.8	0.4	6
SF-2 2220	22	25	20	0.8	0.4	6
SF-2 2225	22	25	25	0.8	0.4	6
SF-2 2230	22	25	30	0.8	0.4	6
SF-2 2415	24	27	15	0.8	0.4	6
SF-2 2420	24	27	20	0.8	0.4	6
SF-2 2425	24	27	25	0.8	0.4	6
SF-2 2430	24	27	30	0.8	0.4	6
SF-2 2515	25	28	15	0.8	0.4	6
SF-2 2520	25	28	20	0.8	0.4	6
SF-2 2525	25	28	25	0.8	0.4	6
SF-2 2530	25	28	30	0.8	0.4	6
SF-2 2540	25	28	40	0.8	0.4	6
SF-2 2615	26	30	15	1	0.5	8
SF-2 2620	26	30	20	1	0.5	8
SF-2 2630	26	30	30	1	0.5	8
SF-2 2640	26	30	40	1	0.5	8
SF-2 2815	28	32	15	1	0.5	8
SF-2 2840	28	32	40	1	0.5	8
SF-2 3015	30	34	15	1	0.5	8
SF-2 3025	30	34	25	1	0.5	8
SF-2 3040	30	34	40	1	0.5	8
SF-2 3220	32	36	20	1	0.5	8
SF-2 3230	32	36	30	1	0.5	8
SF-2 3240	32	36	40	1	0.5	8
SF-2 3520	35	39	20	1	0.5	8
SF-2 3530	35	39	30	1	0.5	8
SF-2 3550	35	39	50	1	0.5	8
SF-2 3820	38	42	20	1	0.5	8
SF-2 3850	38	42	50	1	0.5	8
SF-2 4020	40	44	20	1	0.5	8



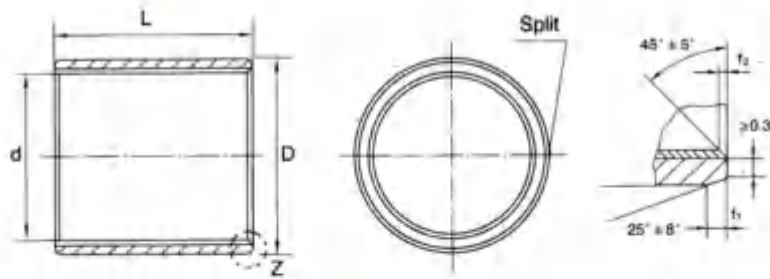
WC...SF SERIES

Bearing No.	A.d	d	D	T	M	h	t	D ₁
WC10SF	8	10	20	1.5	15	1.5	1	20
WC12SF	10	12	24	1.5	18	1.5	1	24
WC14SF	12	14	26	1.5	20	2	1	26
WC16SF	14	16	30	1.5	23	2	1	30
WC18SF	16	18	32	1.5	25	2	1	32
WC20SF	18	20	36	1.5	28	3	1	36
WC22SF	20	22	38	1.5	30	3	1	38
WC24SF	22	24	42	1.5	33	3	1	42
WC26SF	24	26	44	1.5	35	3	1	44
WC28SF	25	28	48	1.5	38	4	1	48
WC32SF	30	32	54	1.5	43	4	1	54
WC38SF	35	38	62	1.5	50	4	1	62
WC42SF	40	42	66	1.5	54	4	1	66
WC46SF	45	48	74	2	61	4	1.5	74
WC52SF	50	52	78	2	65	4	1.5	78
WC62SF	60	62	90	2	76	4	1.5	90

JF SERIES

Bearing NO.	d	D	L	f ₁	f ₂
1010	10	12	10	0.5	0.3
1015	10	12	15	0.5	0.3
1020	10	12	20	0.5	0.3
1210	12	14	10	0.5	0.3
1215	12	14	15	0.5	0.3
1220	12	14	20	0.5	0.3
1410	14	16	10	0.5	0.3
1415	14	16	15	0.5	0.3
1420	14	16	20	0.5	0.3
1510	15	17	10	0.5	0.3
1515	15	17	15	0.5	0.3
1520	15	17	20	0.5	0.3
1610	16	18	10	0.8	0.4
1615	16	18	15	0.8	0.4
1620	16	18	20	0.8	0.4
1810	18	20	10	0.8	0.4
1815	18	20	15	0.8	0.4
1820	18	20	20	0.8	0.4
1825	18	20	25	0.8	0.4
2010	20	23	10	0.8	0.4
2015	20	23	15	0.8	0.4
2020	20	23	20	0.8	0.4
2025	20	23	25	0.8	0.4
2210	22	25	10	0.8	0.4
2215	22	25	15	0.8	0.4
2220	22	25	20	0.8	0.4
2225	22	25	25	0.8	0.4
2410	24	27	10	1	0.5
2415	24	27	15	1	0.5
2420	24	27	20	1	0.5
2430	24	27	30	1	0.5
2515	25	28	15	1	0.5
2520	25	28	20	1	0.5
2525	25	28	25	1	0.5
2530	25	28	30	1	0.5
2615	26	30	15	1	0.5
2620	26	30	20	1	0.5
2625	26	30	25	1	0.5
2630	26	30	30	1	0.5
2815	28	32	15	1	0.5
2820	28	32	20	1	0.5
2825	28	32	25	1	0.5
2830	28	32	30	1	0.5
2840	28	32	40	1	0.5

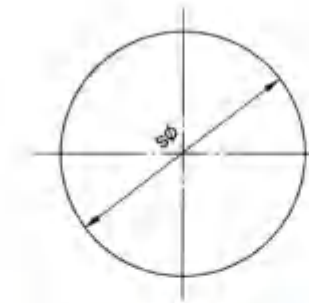
Bearing NO.	d	D	L	f ₁	f ₂
3015	30	34	15	1.2	0.6
3020	30	34	20	1.2	0.6
3025	30	34	25	1.2	0.6
3030	30	34	30	1.2	0.6
3040	30	34	40	1.2	0.6
3215	32	36	15	1.2	0.6
3220	32	36	20	1.2	0.6
3225	32	36	25	1.2	0.6
3230	32	36	30	1.2	0.6
3240	32	36	40	1.2	0.6
3520	35	39	20	1.2	0.6
3525	35	39	25	1.2	0.6
3530	35	39	30	1.2	0.6
3540	35	39	40	1.2	0.6
3550	35	39	50	1.2	0.6
3820	38	42	20	1.2	0.6
3825	38	42	25	1.2	0.6
3830	38	42	30	1.2	0.6
3840	38	42	40	1.2	0.6
3850	38	42	50	1.2	0.6
4020	40	44	20	1.2	0.6
4025	40	44	25	1.2	0.6
4030	40	44	30	1.2	0.6
4040	40	44	40	1.2	0.6
4050	40	44	50	1.2	0.6
4520	45	50	20	1.5	1
4525	45	50	25	1.5	1
4530	45	50	30	1.5	1
4540	45	50	40	1.5	1
4550	45	50	50	1.5	1
5030	50	55	30	1.5	1
5040	50	55	40	1.5	1
5050	50	55	50	1.5	1
5060	50	55	60	1.5	1
5530	55	60	30	1.5	1
5540	55	60	40	1.5	1
5550	55	60	50	1.5	1
5560	55	60	60	1.5	1
6030	60	65	30	1.5	1
6040	60	65	40	1.5	1
6050	60	65	50	1.5	1
6060	60	65	60	1.5	1



JF SERIES

Bearing NO.	d	D	L	f ₁	f ₂
6530	65	70	30	1.5	1
6540	65	70	40	1.5	1
6550	65	70	50	1.5	1
6560	65	70	60	1.5	1
7030	70	75	30	1.5	1
7040	70	75	40	1.5	1
7050	70	75	50	1.5	1
7060	70	75	60	1.5	1
7080	70	75	80	1.5	1
7530	75	80	30	1.5	1
7540	75	80	40	1.5	1
7550	75	80	50	1.5	1
7560	75	80	60	1.5	1
8040	80	85	40	1.5	1
8050	80	85	50	1.5	1
8060	80	85	60	1.5	1
8080	80	85	80	1.5	1
8440	84	90	40	1.8	1.2
8450	84	90	50	1.8	1.2
8460	84	90	60	1.8	1.2
8480	84	90	80	1.8	1.2
8940	89	95	40	1.8	1.2
8950	89	95	50	1.8	1.2
8960	89	95	60	1.8	1.2
8980	89	95	80	1.8	1.2
9450	94	100	50	1.8	1.2
9460	94	100	60	1.8	1.2
9480	94	100	80	1.8	1.2
9490	94	100	90	1.8	1.2
9950	99	105	50	1.8	1.2
9960	99	105	60	1.8	1.2
9980	99	105	80	1.8	1.2
9990	99	105	90	1.8	1.2
10450	104	110	50	1.8	1.2
10460	104	110	60	1.8	1.2
10480	104	110	80	1.8	1.2
10950	109	115	50	1.8	1.2
10960	109	115	60	1.8	1.2
10980	109	115	80	1.8	1.2
11450	114	120	50	1.8	1.2
11460	114	120	60	1.8	1.2
11480	114	120	80	1.8	1.2
11950	119	125	50	1.8	1.2
11960	119	125	60	1.8	1.2
11980	119	125	80	1.8	1.2

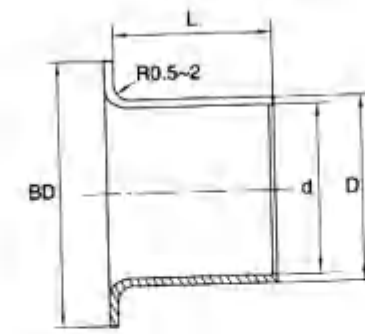
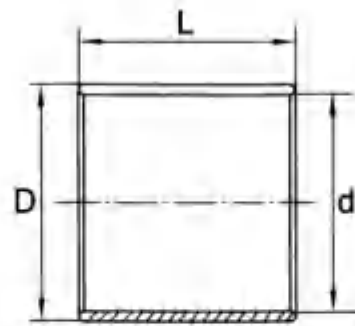
Bearing NO.	d	D	L	f ₁	f ₂
12350	123	130	50	2	1.5
12360	123	130	60	2	1.5
12380	123	130	80	2	1.5
123100	123	130	100	2	1.5
12850	128	135	50	2	1.5
12860	128	135	60	2	1.5
12880	128	135	80	2	1.5
128100	128	135	100	2	1.5
13350	133	140	50	2	1.5
13360	133	140	60	2	1.5
13380	133	140	80	2	1.5
133100	133	140	100	2	1.5
13860	138	145	60	2	1.5
13880	138	145	80	2	1.5
138100	138	145	100	2	1.5
14360	143	150	60	2	1.5
14380	143	150	80	2	1.5
143100	143	150	100	2	1.5
14860	148	155	60	2	1.5
14880	148	155	80	2	1.5
14890	148	155	90	2	1.5
15360	153	160	60	2	1.5
15380	153	160	80	2	1.5
15390	153	160	90	2	1.5
15860	158	165	60	2	1.5
15880	158	165	80	2	1.5
158100	158	165	100	2	1.5
16360	163	170	60	2	1.5
16380	163	170	80	2	1.5
163100	163	170	100	2	1.5
16860	168	175	60	2	1.5
16880	168	175	80	2	1.5
168100	168	175	100	2	1.5
17360	173	180	60	2	1.5
17380	173	180	80	2	1.5
173100	173	180	100	2	1.5



STEEL BALLS

Ball Nominal Diameter Metric(mm) Inch	Weight Per 1000pcs KGS	Per 1KG App Value	
0.3			
0.4	0.0003		
0.5	0.00051	1960780	
0.6	0.0008		
0.68	0.00128	781250	
0.7	0.0014		
0.794	1/32	0.002	
0.8	0.0021		
1	0.00408	245100	
1.2	0.0071	141840	
1.3	0.00893	111980	
1.45	0.0124	80645	
1.5	0.014		
1.5875	1/16	0.016	62350
1.75	0.0218	45871	
2	0.033	30700	
2.3812	3/32	0.055	18182
2.5	0.064	15695	
3	0.11	9091	
3.175	1/8	0.131	7634
3.5	0.175	5714	
3.9688	5/32	0.255	3920
4	0.261	3830	
4.5	0.372	2688	
4.7625	3/16	0.441	2269
5	0.51	1961	
5.1594	13/64	0.56	1788
5.5	0.68	1473	
5.5582	7/32	0.699	1430
5.9531	15/64	0.86	1162
6	0.881	1135	
6.35	1/4	1.04	960

Ball Nominal Diameter Metric(mm) Inch	Weight Per 1000pcs KGS	Per 1KG App Value	
6.5	1.12	893	
6.7469	17/64	1.25	800
7	1.4	715	
7.1438	9/32	1.49	671
7.5	1.722	581	
7.9375	5/16	2.04	490
8	2.09	478	
8.5	2.5	400	
8.7312	11/32	2.71	369
9	2.98	336	
9.5	3.5	286	
9.525	3/8	3.53	284
10	4.08	245	
10.3188	13/32	4.48	223
11	5.42	185	
11.1125	7/16	5.6	179
11.5	6.21	161	
11.5094	29/64	6.22	161
11.9062	15/32	6.89	145
12	7.05	142	
12.3031	31/64	7.6	132
12.7	1/2	8.36	120
13	8.96	112	
13.4938	17/32	10.02	100
14	11.2	89	
14.2875	9/16	11.9	84
15	13.77	73	
15.0812	19/32	14	71.4
15.875	5/8	16.3	61.3
16	16.7	59.9	
16.6688	21/32	18.9	52.9



FB090 SERIES

Bearing No.	d	D	L
FB090-6090	60	65	90
FB090-6530	65	70	30
FB090-6540	65	70	40
FB090-6550	65	70	50
FB090-6560	65	70	60
FB090-6580	65	70	80
FB090-7040	70	75	40
FB090-7050	70	75	50
FB090-7060	70	75	60
FB090-7070	70	75	70
FB090-7080	70	75	80
FB090-7090	70	75	90
FB090-7530	75	80	30
FB090-7540	75	80	40
FB090-7560	75	80	60
FB090-7580	75	80	80
FB090-8030	80	85	30
FB090-8040	80	85	40
FB090-8060	80	85	60
FB090-8080	80	85	80
FB090-8530	85	90	30
FB090-8540	85	90	40
FB090-8560	85	90	60
FB090-8580	85	90	80
FB090-9040	90	95	40
FB090-9060	90	95	60
FB090-9080	90	95	80
FB090-9090	90	95	90
FB090-10050	100	105	50

Bearing No.	d	D	L
FB090-10060	100	105	60
FB090-10095	100	105	95
FB090-10560	105	110	60
FB090-105100	105	110	100
FB090-11060	110	115	60
FB090-110100	110	115	100
FB090-11560	115	120	60
FB090-115100	115	120	100
FB090-12060	120	125	60
FB090-120100	120	125	100
FB090-12560	125	130	60
FB090-125100	125	130	100
FB090-13060	130	135	60
FB090-130100	130	135	100
FB090-13560	135	140	60
FB090-135100	135	140	100
FB090-14060	140	145	60
FB090-140100	140	145	100
FB090-14560	145	150	60
FB090-145100	145	150	100
FB090-15060	150	155	60
FB090-150100	150	155	100
FB090-15560	155	160	60
FB090-155100	155	160	100
FB090-16060	160	165	60
FB090-160100	160	165	100
FB090-16560	165	170	60
FB090-165100	165	170	100
FB090-17060	170	175	60

Bearing No.	d	D	L
FB090-170100	170	175	100
FB090-17560	175	180	60
FB090-175100	175	180	100
FB090-18060	180	185	60
FB090-180100	180	185	100
FB090-18560	185	190	60
FB090-185100	185	190	100
FB090-19060	190	195	60
FB090-190100	190	195	100
FB090-19560	195	200	60
FB090-195100	195	200	100
FB090-20060	200	205	60
FB090-200100	200	205	100
FB090-21560	215	220	60
FB090-215100	215	220	100
FB090-22560	225	230	60
FB090-225100	225	230	100
FB090-23560	235	240	60
FB090-235100	235	240	100
FB090-24560	245	250	60
FB090-245100	245	250	100
FB090-27560	275	280	60
FB090-275100	275	280	100
FB090-28560	285	290	60
FB090-285100	285	290	100
FB090-30060	300	305	60
FB090-300100	300	305	100

FBB090 SERIES

Bearing NO.	d	D	BD	L
FBB090-2515	25	28	35	15
FBB090-2525	25	28	35	25
FBB090-3020	30	34	45	20
FBB090-3030	30	34	45	30
FBB090-3520	35	39	50	20
FBB090-3535	35	39	50	35
FBB090-4025	40	44	55	25
FBB090-4040	40	44	55	40
FBB090-4530	45	50	60	30
FBB090-4545	45	50	60	45
FBB090-4550	45	50	60	50
FBB090-5030	50	55	65	30
FBB090-5050	50	55	65	50
FBB090-5530	55	60	70	30
FBB090-5550	55	60	70	50
FBB090-6030	60	65	75	30
FBB090-6035	60	65	75	35
FBB090-6060	60	65	75	60
FBB090-6530	65	70	80	30
FBB090-6560	65	70	80	60
FBB090-7040	70	75	85	40
FBB090-7070	70	75	85	70
FBB090-7540	75	80	90	40
FBB090-7570	75	80	90	70
FBB090-8040	80	85	100	40
FBB090-8080	80	85	100	80
FBB090-9050	90	95	110	50
FBB090-9090	90	95	110	90
FBB090-10050	100	105	120	50
FBB090-10090	100	105	120	90

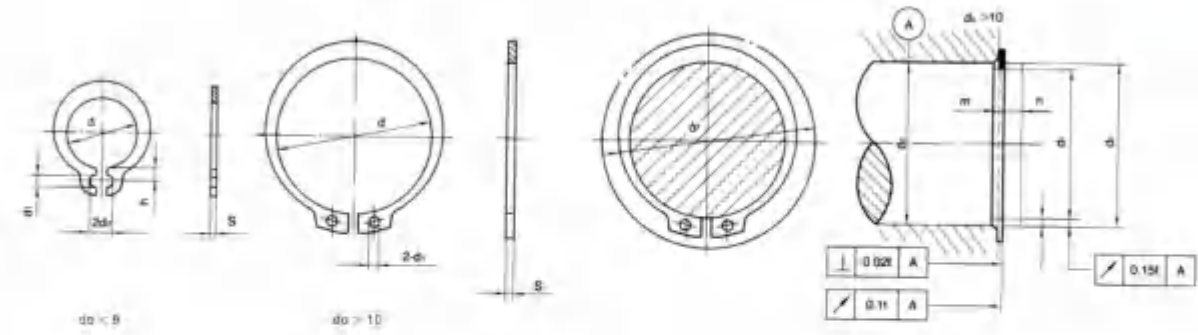
Bearing NO.	d	D	BD	L
FBB090-11050	110	115	130	50
FBB090-11090	110	115	130	90
FBB090-12050	120	125	140	50
FBB090-12090	120	125	140	90
FBB090-13060	130	135	155	60
FBB090-13090	130	135	155	90
FBB090-14060	140	145	165	60
FBB090-14090	140	145	165	90
FBB090-15060	150	155	180	60
FBB090-15090	150	155	180	90
FBB090-16060	160	165	190	60
FBB090-16090	160	165	190	90
FBB090-17060	170	175	200	60
FBB090-17090	170	175	200	90
FBB090-18060	180	185	215	60
FBB090-18090	180	185	215	90
FBB090-19060	190	195	225	60
FBB090-19090	190	195	225	90
FBB090-20060	200	205	235	60
FBB090-20090	200	205	235	90
FBB090-22560	225	230	260	60
FBB090-22590	225	230	260	90
FBB090-25060	250	255	290	60
FBB090-25090	250	255	290	90
FBB090-26560	265	270	305	60
FBB090-26590	265	270	305	90
FBB090-28560	285	290	325	60
FBB090-28590	285	290	325	90
FBB090-30060	300	305	340	60
FBB090-30090	300	305	340	90



STEEL BALLS

Ball Nominal Diameter Metric(mm) Inch	Weight Per 1000pcs KGS	Per 1KG App Value
17	20.02	50
17.4625 11/16	21.7	46
18	23.81	42
18.2562 23/32	24.8	40.3
19	28	35.7
19.05 3/4	28.2	35.5
19.8438 25/32	31.9	31.4
20	32.66	30.5
20.6375 13/16	35.8	28
21	37.8	26.5
21.4313 27/32	40.1	24.9
22	43.45	23
22.225 7/8	44.8	22.3
23	49.6	20.1
23.0188 29/32	49.8	20.1
23.8125 15/16	55.1	18.2
24	56.4	17.7
24.6063 31/32	60.8	16.5
25	63.7	15.7
25.4 1	66.85	15
26	71.7	14
26.1938 1-1/32	73.3	13.6
26.9875 1-1/16	80.2	12.5
27.7812 1-3/32	87.5	11.4
28	89.6	11.2
28.575 1-1/8	95.2	10.5

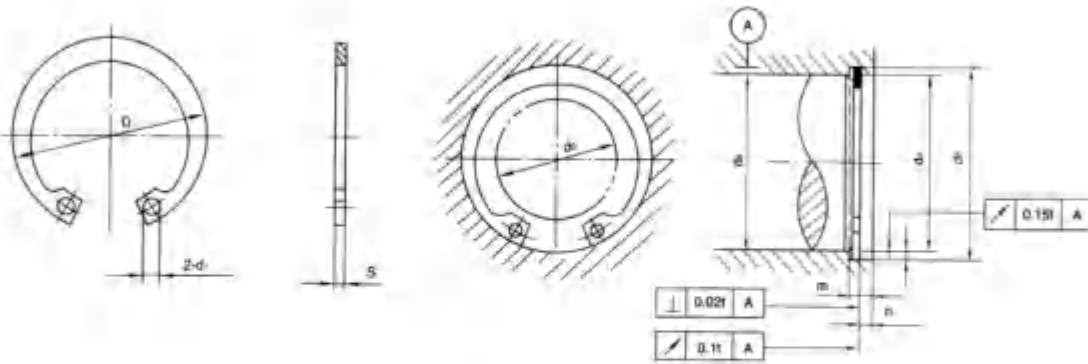
Ball Nominal Diameter Metric(mm) Inch	Weight Per 1000pcs KGS	Per 1KG App Value
30	110.2	9.1
30.1625 1-3/16	112	8.9
31.75 1-1/4	130.6	7.7
32	133.75	7.5
33.3375 1-5/16	151.2	6.6
34	160.4	6.2
34.925 1-3/8	173.9	5.8
35	175	5.7
35.7188 1-13/32	185	5.4
36	190.4	5.3
36.5125 11-7/16	198.5	5
37.3062 1-15/32	212	4.7
38	224	4.5
38.1 1-1/2	225.6	4.43
39.6875 1-9/16	255.17	3.9
40	261	3.83
41.275 1-5/8	287	3.5
42	302.4	3.3
42.8625 1-11/16	321.4	3.1
44.45 1-3/4	358.4	2.8
45	371.5	2.7
47.625 1-7/8	440.9	2.3
48	451.4	2.2
50	510.25	2
50.8 2	535	1.9



SNAP RING

do	d	s	d ₁	h
3	2.7	0.4	1	0.95
4	3.7	0.4	1	1.1
5	4.7	0.6	1	1.25
6	5.6	0.6	1.2	1.35
7	6.5	0.6	1.2	1.55
8	7.4	0.8	1.2	1.6
9	8.4	0.8	1.2	1.65
10	9.3	1	1.5	
11	10.2	1	1.5	
12	11	1	1.5	
13	11.9	1	1.7	
14	12.9	1	1.7	
15	13.8	1	1.7	
16	14.7	1	1.7	
17	15.7	1	1.7	
18	16.5	1	1.7	
19	17.5	1	2	
20	18.5	1	2	
21	19.5	1	2	
22	20.5	1	2	
24	22.5	1.2	2	
25	23.2	1.2	2	
26	24.2	1.2	2	
28	25.9	1.2	2	
29	26.9	1.2	2	
30	27.9	1.2	2	
32	29.6	1.2	2.5	
34	31.5	1.5	2.5	
35	32.2	1.5	2.5	
36	33.2	1.5	2.5	
37	34.2	1.5	2.5	
38	35.2	1.5	2.5	
40	36.5	1.5	2.5	
42	38.5	1.5	3	
45	41.5	1.5	3	

do	d	s	d ₁
48	44.5	1.5	3.0
50	45.8	2.0	3.0
52	47.8	2.0	3.0
55	50.8	2.0	3.0
56	51.8	2.0	3.0
58	53.8	2.0	3.0
60	55.8	2.0	3.0
62	57.8	2.0	3.0
63	58.8	2.5	3.0
65	60.8	2.5	3.0
68	63.5	2.5	3.0
70	65.5	2.5	3.0
72	67.5	2.5	3.0
75	70.5	2.5	3.0
78	73.5	2.5	3.0
80	74.5	2.5	3.0
82	76.5	2.5	3.0
85	79.5	2.5	3.0
88	82.5	2.5	3.0
90	84.5	2.5	3.0
95	89.5	2.5	3.0
100	94.5	2.5	3.0
105	98	3.0	3.0
110	103	3.0	4.0
115	108	3.0	4.0
120	113	3.0	4.0
125	118	3.0	4.0
130	123	3.0	4.0
135	128	3.0	4.0
140	133	3.0	4.0
145	138	3.0	4.0
150	142	3.0	4.0
155	146	3.0	4.0
160	151	3.0	4.0
165	155.5	3.0	4.0
170	160.5	3.0	4.0
175	165.5	3.0	4.0
180	170.5	3.0	4.0
185	175.5	3.0	4.0
190	180.5	3.0	4.0
195	185.5	3.0	4.0
200	190.5	3.0	4.0



SNAP RING

do	d	s	d ₁
8	8.7	0.6	1.0
9	9.8	0.6	1.0
10	10.8	0.8	1.5
11	11.8	0.8	1.5
12	13	0.8	1.5
13	14.1	0.8	1.7
14	15.1	1.0	1.7
15	16.2	1.0	1.7
16	17.3	1.0	1.7
17	18.3	1.0	1.7
18	19.5	1.0	1.7
19	20.5	1.0	2.0
20	21.5	1.0	2.0
21	22.5	1.0	2.0
22	23.5	1.0	2.0
24	25.9	1.0	2.0
25	26.9	1.0	2.0
26	27.9	1.0	2.0
28	30.1	1.2	2.0
30	32.1	1.2	2.0
31	33.4	1.2	2.5
32	34.4	1.2	2.5
34	36.5	1.5	2.5
35	37.8	1.5	2.5
36	38.8	1.5	2.5
37	39.8	1.5	2.5
38	40.8	1.5	2.5
40	43.5	1.5	2.5
42	45.5	1.5	3.0
45	48.5	1.5	3.0
47	50.5	1.5	3.0
48	51.5	1.5	3.0
50	54.2	2.0	3.0
52	56.2	2.0	3.0
55	59.2	2.0	3.0
56	60.2	2.0	3.0
58	62.2	2.0	3.0
60	64.2	2.0	3.0
62	66.2	2.0	3.0

do	d	s	d ₁
63	67.2	2.0	3.0
65	69.2	2.5	3.0
68	72.5	2.5	3.0
70	74.5	2.5	3.0
72	76.5	2.5	3.0
75	79.5	2.5	3.0
78	82.5	2.5	3.0
80	85.5	2.5	3.0
82	87.5	2.5	3.0
85	90.5	2.5	3.0
88	93.5	2.5	3.0
90	95.5	2.5	3.0
92	97.5	2.5	3.0
95	100.5	2.5	3.0
98	103.5	2.5	3.0
100	105.5	2.5	4.0
102	108.0	3.0	4.0
105	112.0	3.0	4.0
108	115.0	3.0	4.0
110	117.0	3.0	4.0
112	119.0	3.0	4.0
115	122.0	3.0	4.0
120	127.0	3.0	4.0
125	132.0	3.0	4.0
130	137.0	3.0	4.0
135	142.0	3.0	4.0
140	147.0	3.0	4.0
145	152.0	3.0	4.0
150	158.0	3.0	4.0
155	164.0	3.0	4.0
160	169.0	3.0	4.0
165	174.5	3.0	4.0
170	179.5	3.0	4.0
175	184.5	3.0	4.0
180	189.5	3.0	4.0
185	194.5	3.0	4.0
190	199.5	3.0	4.0
195	204.5	3.0	4.0
200	209.5	3.0	4.0